

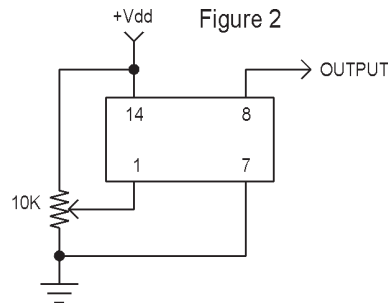
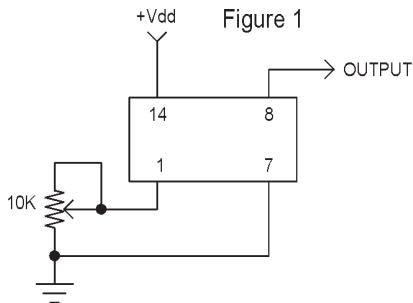
XO5165 Series

14 pin DIP, 5.0 or 3.3 Volt, HCMOS, OCXO



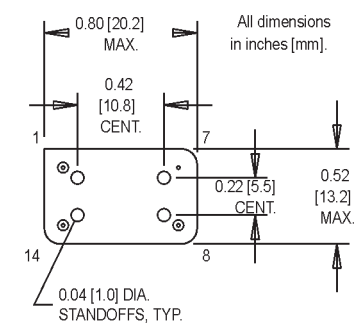
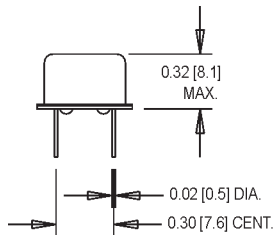
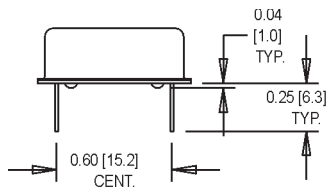
- Standard DIP/DIL package offering tight stabilities, fast warm-up, and low current
- Stratum 3 Application
- SMT Surfboard Option

Ordering Information						
	XO5165	A	5	R1	D	00.0000 Mhz
Product Series						
Temperature Range						
A:	0°C to +70°C					
B:	-20°C to +70°C					
C:	-40°C to +85°C					
Power Supply						
3:	3.3V ±0.15V					
5:	5.0V ±0.25V					
Frequency Adjustment Method						
R1:	External Resistor Adjust (See Figure 1)					
V5:	Voltage Adjust (See Figure 2)					
Package Configuration						
D:	14 pin DIP					
S:	Surfboard					
RoHS Compliance						
Blank:	non-RoHS compliant part					
-R:	RoHS compliant part					
Frequency (Customer Specified)						



M7011Sxxx - Contact factory for datasheets.

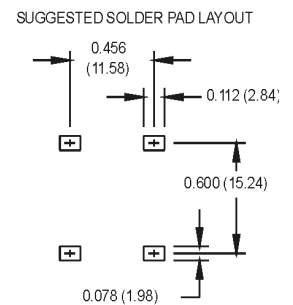
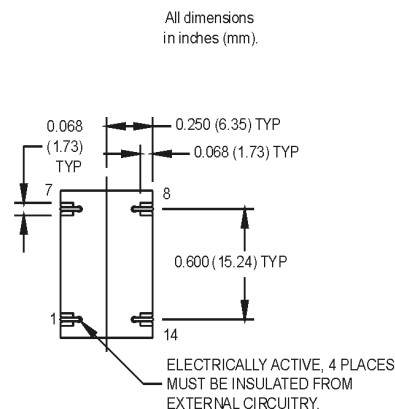
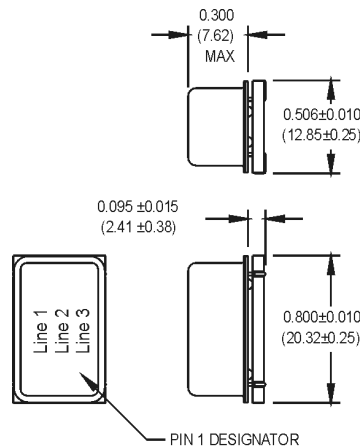
PTH Package



Pin Connections

PIN	FUNCTION
1	Frequency Adjust
7	Case ground & supply return
8	R.F. Output
14	Supply (+)

SMT Package



MtronPTI reserves the right to make changes to the product(s) and service(s) described herein without notice. No liability is assumed as a result of their use or application.

Please see www.mtronpti.com for our complete offering and detailed datasheets. Contact us for your application specific requirements: MtronPTI 1-800-762-8800.

XO5165 Series

14 pin DIP, 5.0 or 3.3 Volt, HCMOS, OCXO



- Standard DIP/DIL package offering tight stabilities, fast warm-up, and low current
- Stratum 3 Application
- SMT Surfboard Option

	PARAMETER	Symbol	Min.	Typ.	Max.	Units	Condition
Electrical Specifications	Frequency Range	F	10		20	MHz	
	Operating Temperature	T _A	(See Ordering Information)			°C	
	Short Term Stability				5 x 10 ⁻¹⁰		0.1 to 30 secs.
	Holdover Stability				±0.28	ppm	24 hours
	Overall Stability				±4.6	ppm	15 years
	Supply Voltage	V _{dd}	(See Ordering Information)				
	Warm-Up Time		To spec after 30 secs.				0°C
	Warm-Up Current				250	mA	During first 10 secs.
	Supply Current	I _{dd}			70	mA	+30°C @ 5.0 V
					110	mA	+30°C @ 3.3 V
					110	mA	-20°C @ 5.0 V
					160	mA	-20°C @ 3.3 V
	Output Signal						HCMOS/TTL Compatible
	Rise/Fall Time	T _r /T _f			7	ns	Ref. 10% and 90%
	Logic "0" Level	V _{ol}			0.4	Volts	
	Logic "1" Level	V _{oh}	V _{dd} - 0.5			Volts	
	Symmetry	Sym			45/55	%	Ref. To ½ V _{cc}
	Output Load				15 pf HCMOS 10 LS TTL		
	Frequency Adjustment (Pin 1)		±4			ppm	See Figure 1 or 2
	Tuning Slope			Positive			
Input Impedance (Pin 1)		4.7 K			ohms		
Phase Noise						(BW = 1 Hz) Offset from carrier	
	1 Hz			-70	dBc/Hz		
	10 Hz			-100	dBc/Hz		
	100 Hz			-130	dBc/Hz		
	1 kHz			-140	dBc/Hz		
Environmental	Mechanical Shock	2000 g, 0.3 ms, ½ sine					
	Vibration	2000 Hz, 10 g					
	Storage Temperature	-55°C to +125°C					
	Hermeticity	Per MIL-STD-202, Method 112					
	Solderability	EIAJ-STD-002					
	Max Soldering Conditions	+245°C for 10 secs. Max. (DIP version only)					
Max Soldering Conditions	+220°C for 10 secs. Max. (SMT version only)						

HCMOS Load – see load circuit diagram #2.

MtronPTI reserves the right to make changes to the product(s) and service(s) described herein without notice. No liability is assumed as a result of their use or application.

Please see www.mtronpti.com for our complete offering and detailed datasheets. Contact us for your application specific requirements: MtronPTI 1-800-762-8800.