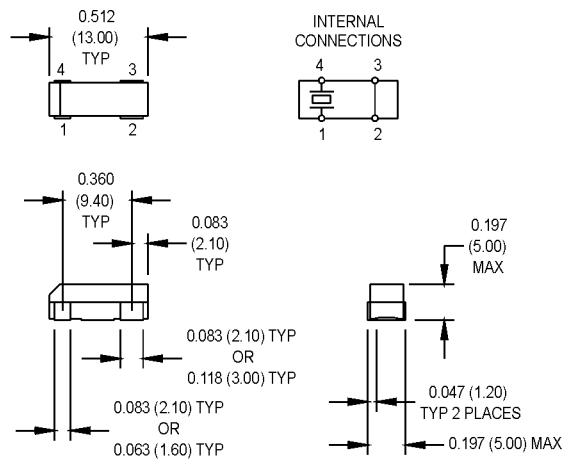


SX2050 Surface Mount Crystals

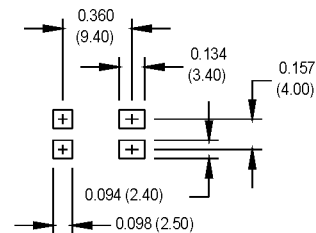
5.0 x 13.0 x 5.0 mm



*SX2050 00.0000 MHz (customer specified)



SUGGESTED SOLDER PAD LAYOUT



All dimensions in inches (mm).

Electrical/Environmental Specifications

PARAMETERS	VALUE
Frequency Range ¹	3.579545 to 60.000 MHz
Tolerance @ +25°C	±50 ppm
Stability	±100 ppm
Aging	±5 ppm/yr. Max.
Shunt Capacitance	5 pF Max.
Load Capacitance	18 pF Std.
Standard Operating Conditions	-20°C to +70°C
Equivalent Series Resistance (ESR), Max.	
Fundamental (AT-cut)	
3.579 to 3.999 MHz	200 Ω
4.000 to 4.499 MHz	150 Ω
4.500 to 4.999 MHz	120 Ω
5.000 to 6.999 MHz	100 Ω
7.000 to 8.999 MHz	80 Ω
9.000 to 9.999 MHz	60 Ω
10.000 to 12.999 MHz	50 Ω
13.000 to 18.999 MHz	35 Ω
19.000 to 30.000 MHz	25 Ω
Fundamental (BT-cut)	
30.000 to 40.000 MHz	30 Ω
Third Overtones (AT-cut)	
36.000 to 60.000 MHz	80 Ω
Drive Level	100 μW Max.
Mechanical Shock	MIL-STD-202, Method 213, C
Vibration	MIL-STD-202, Method 201 & 204
Solder Conditions ²	240°C for 10 seconds max.
Thermal Cycle	MIL-STD-883, Method 1010, B

* Series resonant designated by "SR" prefix (i.e., SRSX2050).

¹ Because this product is based on AT-strip technology, not all frequencies in the range stated are available. Contact the factory for availability of specific frequencies.

² See page 91, Figure "2".

M-tron reserves the right to make changes to the product(s) and service(s) described herein without notice. No liability is assumed as a result of their use or application. No rights under any patent accompany the sale of such product.

M-tron Industries, Inc., PO Box 630, Yankton, SD 57078-0630, USA Phone: 605-665-9321 or 1-800-762-8800 Fax: 605-665-1709 Website: www.mtron.com
M-tron Industries Limited, 1104 Shanghai Industrial Investment Building, 48-62 Hennessy Road, Wanchai, Hong Kong, China Phone: 852-2866-8023 Fax: 852-2529-1822