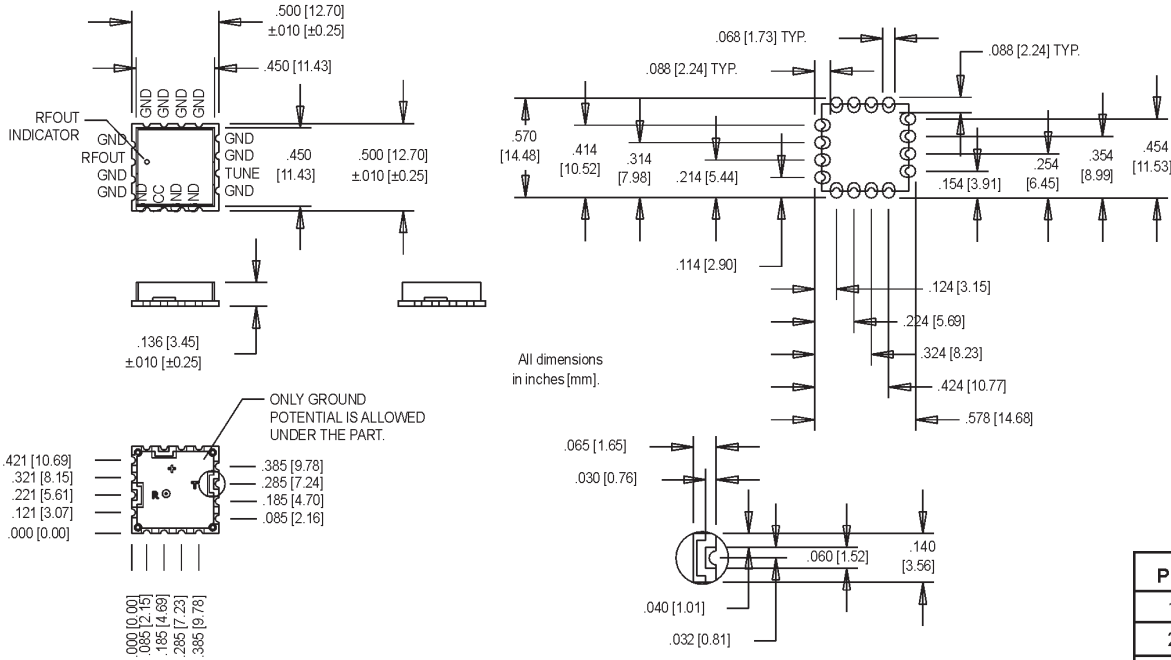


CZM Series

Voltage Controlled Oscillator - VCO

SUGGESTED SOLDER PAD LAYOUT



PIN	FUNCTION
1	RF Out (R)
2	Vcc (+)
3	Vt (T)

MODEL#	FREQUENCY RANGE	MODULATION SENSITIVITY	FREQUENCY PUSHING	FREQUENCY PULLING	PHASE NOISE @ 10 KHz (dBc/Hz)	PACKAGE TYPE	SUPPLY VOLTAGE*	SEATED HEIGHT (Inches)
CZM1-50	45-105	3.3	1.0	2.0	-106	0.5" x 0.5"	12V	.132
CZM1-60	55-130	5.0	1.0	2.0	-106	0.5" x 0.5"	12V	.132
CZM1-75	65-150	6.0	1.0	2.0	-106	0.5" x 0.5"	12V	.132
CZM1-100	75-180	7.0	1.0	2.0	-106	0.5" x 0.5"	12V	.132
CZM1-125	80-200	8.0	1.0	2.0	-106	0.5" x 0.5"	12V	.132
CZM1-150	125-260	10.0	1.0	2.0	-95	0.5" x 0.5"	12V	.132
CZM1-200	135-300	13.0	1.0	2.0	-100	0.5" x 0.5"	12V	.132
CZM1-250	155-375	13.0	1.0	2.0	-100	0.5" x 0.5"	12V	.132
CZM1-300	245-470	16.0	2.5	4.0	-90	0.5" x 0.5"	12V	.132
CZM2-600	500-900	30.0	10.0	12.0	-90	0.5" x 0.5"	12V	.132
CZM2-900	700-1000 ¹	15-50	8.0	15.0	-90	0.5" x 0.5"	5V	.132
CZM3-1250	1000-1800	70.0	15.0	30.0	-90	0.5" x 0.5"	12V	.132
CZM3-1750	1350-2200	90.0	15.0	35.0	-90	0.5" x 0.5"	12V	.132
CZM4-2000	1950-2800 ²	12-100	5.0	35.0	-90	0.5" x 0.5"	5V	.132

* 3.3V, 5V & 12V Options Available - Please Contact M-tron.

¹ Any 60-200 MHz increment of pull within the limits of 0 to +5 VC

² Any 100-300 MHz increment of pull within the limits of 0 to +5 VC

OBSOLETE



CZM Series

Voltage Controlled Oscillator - VCO

Product Series	SP#	Tune Range		Control Voltage		Supply Voltage	Power Output	Phase Noise @ 10 KHz
		Min	Max	Min	Max			
CZM1-50	-001	48	55	1.5	4.5	5		
CZM1-75	-001	75	150	1	16	12		
	-002	69.5	70.5	1	4	5	0±2	
	-003	78	89	0	5	5	5±3	<-110
	-004	69.9	70.1	1	4	3.3	0±2	<-110
	-005	72	82	0	5	5	5±3	<-110
CZM1-125	-001	100	200	1	16	12		
	-002	70	120	0	3.3	3.3		
CZM1-150	-001	125	135	0.4	4.6	5	6±1	<-112
CZM1-200	-001	146	176	0.5	4.5	5	0±3	<-90
CZM1-250	-001	181	211	0.5	4.5	5	0±3	<-90
CZM1-300	-001	237	267	0.5	4.5	5	0±3	<-90
	-002	251	281	0.5	4.5	5	0±3	<-90
	-003	296	326	0.5	4.5	5	0±3	<-90
	-004	325	355	0.5	4.5	5	0±3	<-90
CZM2-600	-002	782	810	1	4	5		
	-003	515	545	0.5	4.5	5	0±3	<-90
	-004	713	743	0.5	4.5	5	0±3	<-90
CZM2-900	-001	900	975	1	4	5		
	-002	837	863	0.75	4.25	5		
	-003	782	810	1	4	5		
	-004	900	960	1	4	5	6+3	
	-005	730	920	1	15	5	1.25±3.25	
	-006	720	880	0	5	5	5±3	
	-007	656	696	0.5	4.5	5	5±1	<-100
	-008	766	866	0.5	4.5	5	5±1	<-100
	-011	880	960	0	5	5	5±3	
CZM3-1250	-001	950	155	0.5	0	12		
	-002	800	1650	0	20	5	5.5+4	<-99
	-003	925	1650	3	21	11.5	8±3.5	<-87
CZM3-1750	-001	1430	2005	0.5	10	12		
	-002	1300	2300	0	20	12		
	-003	1700	2300	0.5	9.0	5	70	
	-004	1440	1670	0.25	4.75	4.5	4±2	<-90
	-006	1440	1670	0.25	4.75	4.5	4±2	<-90
	-001	2120	2200	1	3	3.7	>-5	
CZM4-2000	-002	2065	2220	0.5	4.5	5	5+3	<-98
	-003	2190	2330	0.5	4.5	5	4+3	<-92
	-004	2370	2515	0.5	4.5	4.5	3.5+2.5	<-94
	-005	2665	2810	0.5	4.5	4.5	4.5+3.5	<-91
	-006	2200	2285	0.5	4.5	4.5		
	-007	2200	2400	0.5	8	5		
	-008	2406	2646	0.5	8	5		
	-009	1950	2500	0.5	15	9	7.5-13	
	-010	1950	2500	0.5	11	5	1±3	
	-011	1965	2015	0	5	3		<-90
	-012	2170	2200	0	5	3		<-90
	-013	1650	2200	0.5	8	5	1±3	<-86
	-014	2250	2380	0.5	5	5	2±1	<-90
	-015	2200	2400	0.5	4.5	5	3±3	

MtronPTI reserves the right to make changes to the product(s) and service(s) described herein without notice. No liability is assumed as a result of their use or application.

Please see www.mtronpti.com for our complete offering and detailed datasheets. Contact us for your application specific requirements: MtronPTI 1-800-762-8800.