

SPECIFICATION FOR SMT VCXO OSCILLATOR MtronPTI P/N 1674-007

Electrical Specifications:

Parameter	Symbol	Min.	Typ.	Max.	Units	Conditions
Frequency of Operation	F _O		19.440000		MHz	
Frequency Stability						
Frequency Stability	ΔF/F	-50		+50	ppm	Inclusive of initial tolerance, operating temperature, voltage & load variation, shock, vibration, and aging.
RF Output						
Output Type		CMOS/TTL Compatible				
Output Load				15	pF	
Symmetry (duty cycle)	T _{DC}	45	50	55	%	Ref. to ½ V _{DD}
Logic "1" Level	V _{OH}	2.97			V	HCMOS load
Logic "0" Level	V _{OL}			0.33	V	HCMOS load
Rise/Fall Time	T _R /T _F			5	ns	From 20% to 80% V _{DD}
Tri-state Function		Logic "1" or Open				Pad 2: Output Enabled
		Logic "0"				Pad 2: Output to high-Z
Frequency Adjustment						
Control Voltage Range	V _C	0.3	1.65	3.3	V	
Pullability (APR)		± 50			ppm	
Input Impedance		2			MΩ	
Linearity				10	%	Positive monotonic slope
Supply Voltage & Power Consumption						
Operating Voltage	V _{DD}	3.135	3.3	3.465	V	
Operating Current	I _{DD}			25	mA	
Additional Specifications						
Jitter (RMS)				10	ps	

Environmental Conditions:

Operating Temperature	T _A	-40		+85	°C	
Storage Temperature	T _S	-55		+125	°C	
Mechanical Shock	Per MIL-STD-202, Method 213, Condition C (100 g's, 6 ms duration, ½ sinewave)					
Vibration	Per MIL-STD-202, Method 201 & 204 (10 g's from 10-2000 Hz)					
Hermeticity	Per MIL-STD-202, Method 112 (1 x 10 ⁻⁸ atm cc/s of Helium)					
Solderability	Per EIAJ-STD-002					
Max. Soldering Conditions	See solder profile, Figure 1					
Package Type	5 X 7 mm 6-pad leadless ceramic. RoHS compliant					

SPECIFICATION FOR SMT VCXO OSCILLATOR
MtronPTI P/N 1674-007

Mechanical, Marking and Layout Information:

Pad	Function
1	Control Voltage
2	Tristate
3	Ground
4	Output
5	N/C
4	+ V _{DD}

Part Marking	
Line 1	1674-007
Line 2	19M440
Line 3	MPTI yyww

Legend	
yy	Year
ww	Work Week
vv	Factory Code

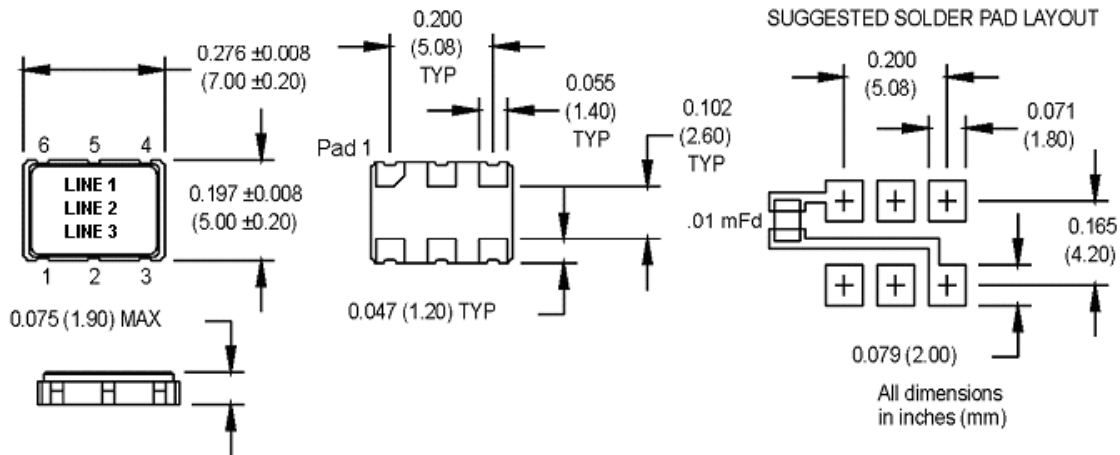
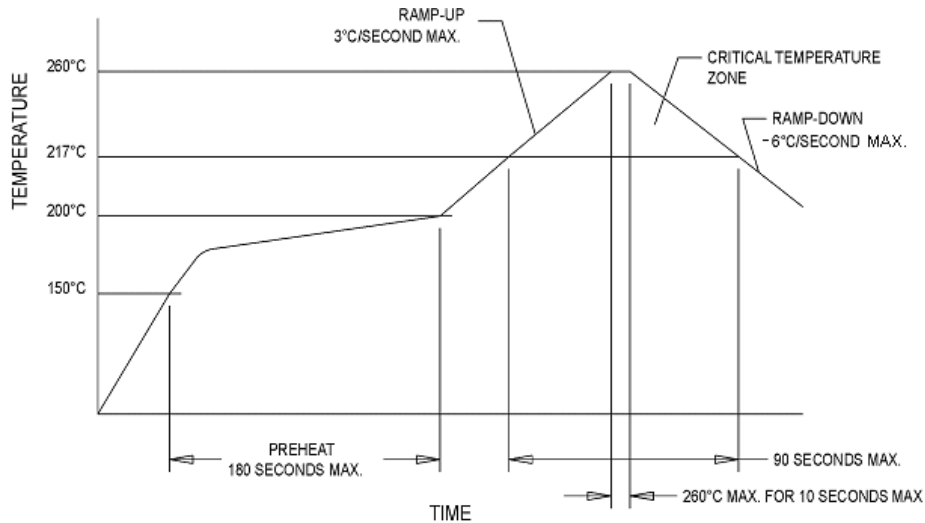


Figure 1



Datasheet Revision Table:

Date	Rev.	Author	Details of Revision
10/26/06	0	WNJ	Original release.
09/21/15	A	MM	Updated to new data sheet format. Added Input Impedance Spec..