

SPECIFICATION FOR SMT VCXO

MtronPTI P/N 1674-013

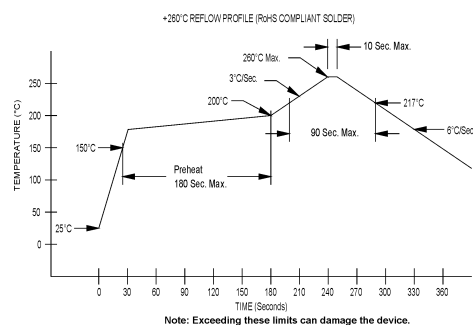
I. GENERAL & ELECTRICAL REQUIREMENTS:

1. FREQUENCY OF OPERATION: 38.880000 MHz
2. FREQUENCY STABILITY VS. TEMPERATURE: ± 50 ppm (Inclusive of initial tolerance, operating temperature, voltage & load variation, shock, vibration, and aging.
3. OPERATING TEMPERATURE RANGE: -40°C to $+85^{\circ}\text{C}$
4. OPERATING VOLTAGE: 3.3 V $\pm 5\%$
5. OPERATING CURRENT: 40 mA max.
6. OUTPUT LOGIC: CMOS/TTL Compatible
7. SYMMETRY: 45/55% ref. to $\frac{1}{2} V_{cc}$
8. RISE/FALL TIME: 5 nS max. ref. to 10% to 90%
9. LOGIC OUTPUT LEVELS: $V_{OL} = 0.5$ V max. $V_{OH} = V_{cc} - 0.5$ V min.
10. OUTPUT LOAD: 15 pF max.
11. PULLABILITY: ± 50 ppm APR
12. CONTROL VOLTAGE (Pin 1): 0.3 V to 3.3 V (Center frequency at + 1.65 V)
13. LINEARITY: 10% max. with positive monotonic slope.
14. JITTER: 10 pS RMS max.
15. TRISTATE FUNCTION: Pad 2 logic level "1" or floating- normal output signal
Pad 2 logic level "0"- output disabled to a high impedance.

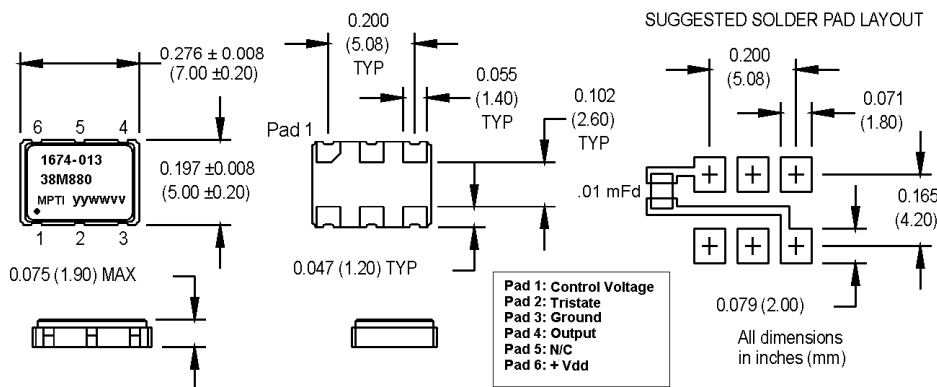
II. ENVIRONMENTAL & MECHANICAL REQUIREMENTS:

1. SHOCK: MIL-STD-202, Method 213, Condition C.
2. VIBRATION: MIL-STD-202, Methods 201 & 204.
3. HERMETICITY: 1×10^{-8} atm cc/sec min.
4. SOLDERABILITY: Per EIAJ-STD-002
5. MAXIMUM SOLDERING CONDITIONS: See Figure 1.
6. PACKAGE: 6- Pad leadless ceramic. RoHS compliant.

Figure 1



III. DIMENSIONS:



IV. DATA SHEET REVISION TABLE:

Date	Rev.	PCN	Details of Revision
11/17/05	0	N/A	Original release.
11/22/05	A	N/A	Changed Rise/Fall Time to 5 ns max. Supersedes 11/17/05 release.
5/15/07	B	N/A	Added RoHS compliance designation. This device has always been RoHS 6 compliant. Supersedes 11/22/05 release.