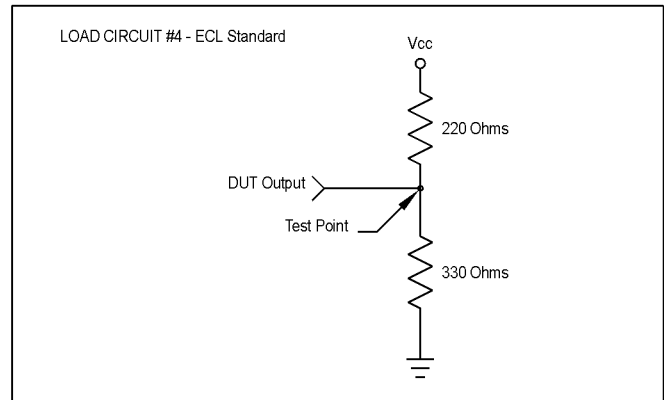
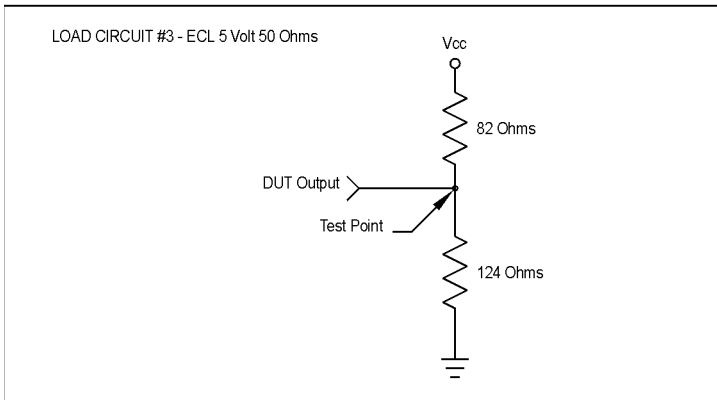
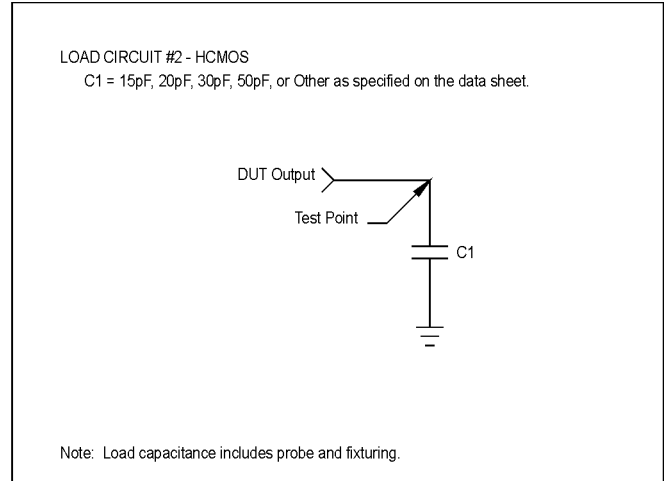
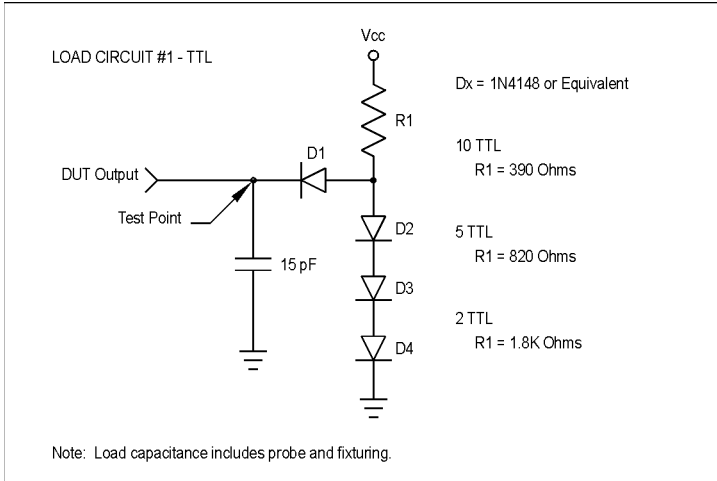


Load Circuit Diagrams

The load circuits shown are typical of the test loads used to measure wave form parameters for the various oscillator logic families. Please consult the factory for applications requiring special load considerations.



Load Circuit Diagrams

The load circuits shown are typical of the test loads used to measure wave form parameters for the various oscillator logic families. Please consult the factory for applications requiring special load considerations.

