

Specification for a 225-320MHz ROHS Compliant Bandpass Filter MtronPTI P/N: LF9770R

I. General & Electrical Requirements

Insertion loss across Passband

225 to 272MHz: <0.8dB

272 to 320MHz: <0.7dB

Rejection @138MHz to 180MHz: >20dBc

Rejection@ DC-138MHz: > 65dBc

Rejection@ 450MHz to 640MHz: >67dBc

Rejection@ 675MHz to 1.5GHz: >75dBc

Passband Return Loss : > 17dB

RF Power Handling @output (In Passband, 225 to 320MHz): 10W avg. /28W peak with a 3:1 VSWR load @ output

RF Power Handling @Input (Out of band, 1MHz to 1.5GHz) : 0.5W avg. /1W peak

Out of band VSWR@Input (1MHz to 2.0GHz) : <10: 1

Z_{IN}/Z_{OUT}: 50Ω nominal

II. Environmental & Physical Requirements:

Temperature Range:

Operating: -40°C to +85°C

Package (LXWXH): 2.50"x0.75"x0.50"

Package Flatness: 0.006"

Altitude :

Non-Operating: 50kFeet

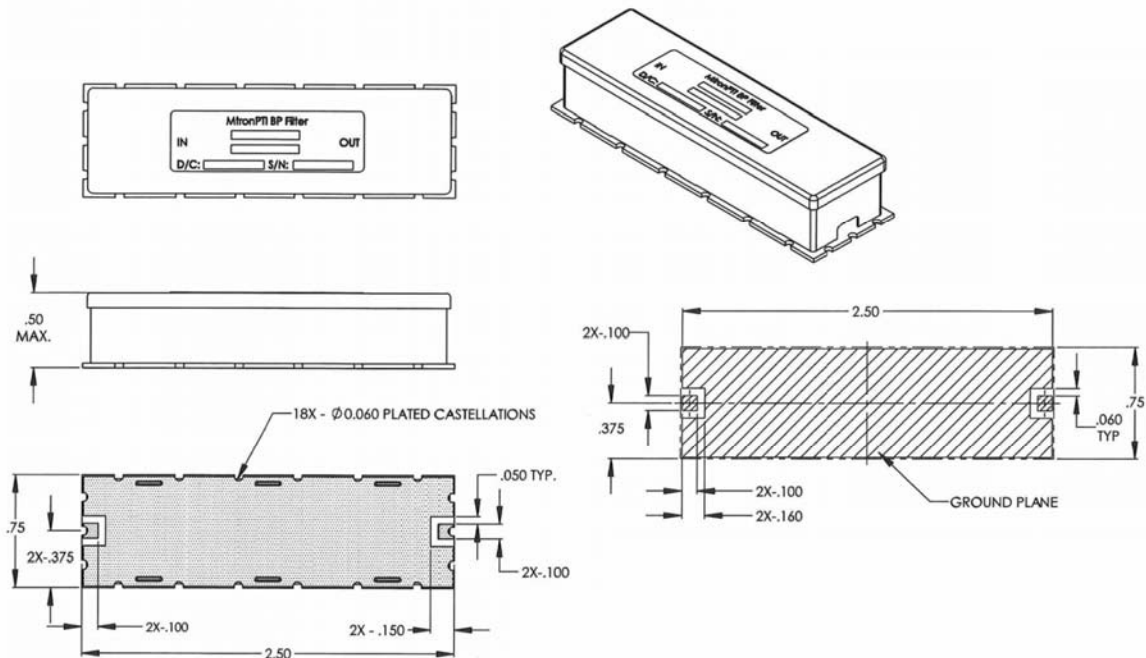
Operating: 12kFeet

Tolerances (inches): 0. XX ± 0.02; 0.XXX ± 0.010

Vibration: random 7.7Grms, 20-2000Hz, 3-axis, 1hr/axis

Shock: Terminal peak sawtooth shock pulse, 40 G pk amplitude. 11ms duration, 3-axis, 2directions/axis

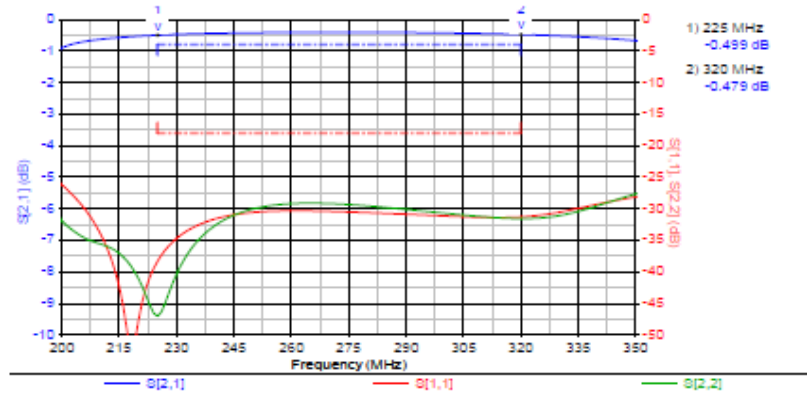
Soldering: Class2



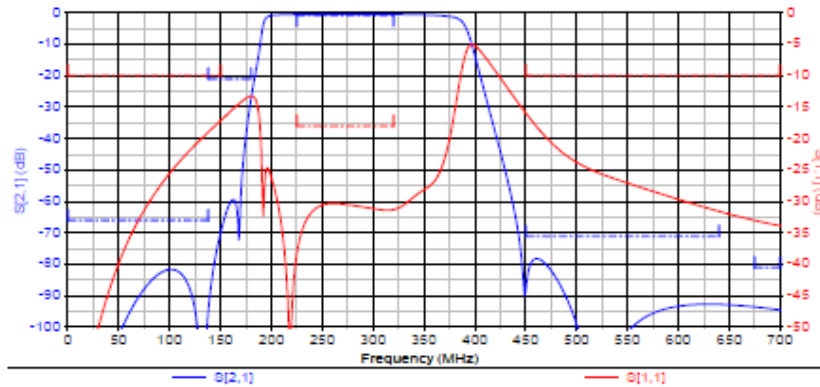
Specification for a 225-320MHz ROHS Compliant Bandpass Filter MtronPTI P/N: LF9770R

III. Simulations

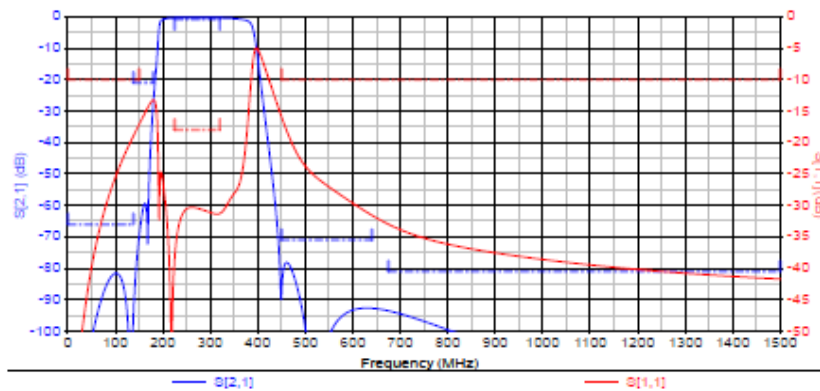
Passband



Stopband



Extended Stopband





2525 Shader Road, Orlando Florida 32804 USA
Phone: 407-298-2000 Fax: 407-293-2979
Website: mtronpti.com NYSE MKT: LGL



Specification for a 225-320MHz ROHS Compliant Bandpass Filter MtronPTI P/N: LF9770R

IV. Datasheet Revision:

07-07-20	G	DPD	Package Flatness updated from 0.010" to 0.006"
09-04-19	F	BRR	IL & Rejection specs revised
03-27-18	E	DPD	Revert back to 07-26-17 outline
03-22-18	D	DPD	Outline, power, IL and various specs updated.
09-19-17	C	DPD	Insertion Loss and rejection spec updated
07-26-17	B	DPD	Outline drawing added. High side OT changed to +85C
06-27-16	A	DPD	Original Draft.