

### Electrical Specifications

**Center Frequency ( $F_{ON}$ ):** 159.0MHz

**2dB Bandwidth:** 16MHz minimum

**Passband Ripple (peak-valley):** @ 1.0dB, maximum

**Insertion Loss (max.):** 1.5dB (peak of transmission)

**Rejection Notches (minimum)**  
 128MHz to 134MHz:-35dB  
 201MHz to 207MHz:-45dB

**VSWR:** <1.5:1, over  $F_{ON} \pm 153$ MHz to  $F_{ON} \pm 165$ MHz

**Input Power:** 20 watts maximum

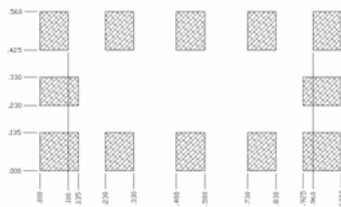
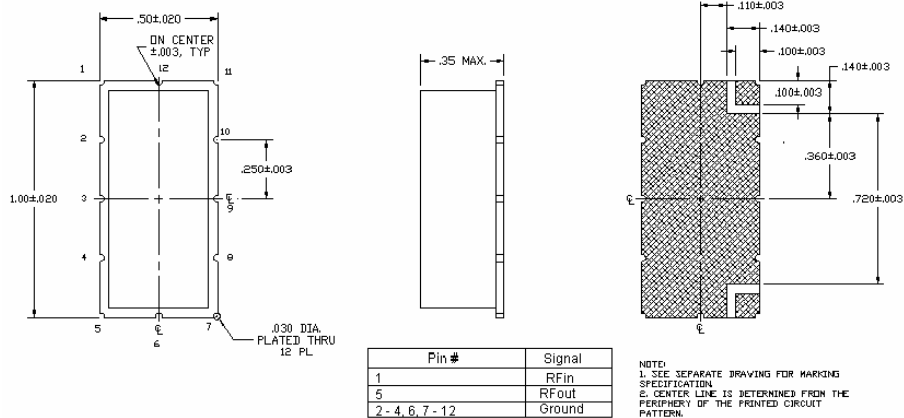
**$Z_S/Z_L$ :** 50 $\Omega$  nominal

**Temperature Range**

Operating, -40°C to +85°C  
 Storage, -55°C to +85°C

**Package**

MtronPTI standard SM004 SMD, fully supports automated assembly processing and can be supplied on tape and reel



Recommended PAD Layout

**Note:** This device utilizes SN10 Solder throughout its construction