



SPECIFICATION FOR SMT CRYSTAL MtronPTI P/N M1001S175-R

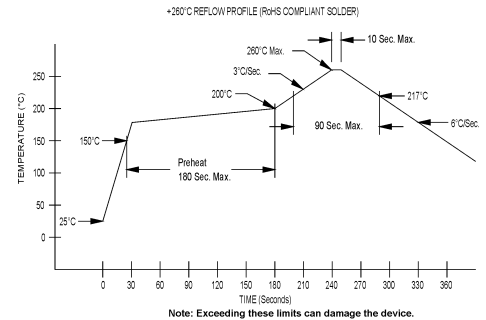
I. GENERAL & ELECTRICAL REQUIREMENTS:

1. MODE OF OSCILLATION: Fundamental (AT-Cut)
2. FREQUENCY OF OPERATION: 4.000000 MHz
3. FREQUENCY TOLERANCE AT +25°C: ± 25 ppm max.
4. FREQUENCY STABILITY OVER TEMPERATURE: ± 10 ppm max.
5. OPERATING TEMPERATURE RANGE: 0°C to +70°C
6. EFFECTIVE SERIES RESISTANCE (ESR): 100 ohms max.
7. LOAD CAPACITANCE: 20 pF
8. SHUNT CAPACITANCE: 7.0 pF max.
9. AGING: ± 5 ppm/yr. max.
10. DRIVE LEVEL: 5 mW max. 25 µW to 100 µW for testing

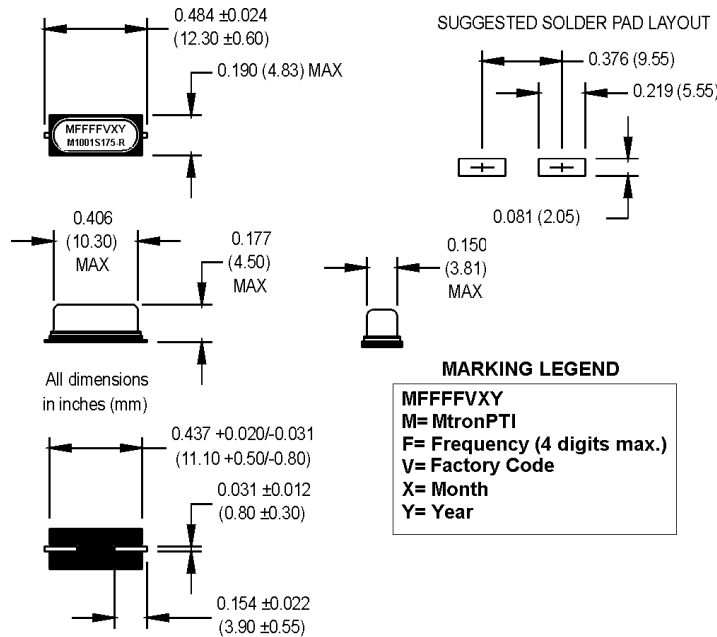
II. ENVIRONMENTAL & MECHANICAL REQUIREMENTS:

1. SHOCK: Per MIL-STD-202, Method 213, Condition C
2. VIBRATION: Per MIL-STD-202, Method 201 & 203
3. HERMETICITY: 1 X 10⁻⁸ atm cc/sec min.
4. STORAGE TEMPERATURE: -40°C to +85°C
5. SOLDERABILITY: Per EIAJ-STD-002
6. REFLOW SOLDER CONDITIONS: See figure 1
7. THERMAL CYCLE: Per MIL-STD-883, Method 1010, Condition B
8. PACKAGE: HC-49U/S-SMD. RoHS compliant. (ATSM-49 type)

Figure 1



III. DIMENSIONS:



IV. DATA SHEET REVISION TABLE:

Date	Rev.	PCN	Details of Revision
3/30/07	0	N/A	Original release.