

SPECIFICATION FOR RoHS COMPLIANT SMT CRYSTAL MtronPTI P/N M1001S214

I. GENERAL & ELECTRICAL REQUIREMENTS:

1. MODE OF OSCILLATION: Fundamental AT-Cut Crystal
2. FREQUENCY OF OPERATION: 8.000000 MHz
3. FREQUENCY TOLERANCE @ +25°C: ± 30 ppm max.
4. FREQUENCY STABILITY OVER TEMPERATURE: ± 50 ppm max.
5. OPERATING TEMPERATURE RANGE: -40°C to +85°C
6. EFFECTIVE SERIES RESISTANCE (ESR): 100 ohms max.
7. LOAD CAPACITANCE: 18 pF
8. SHUNT CAPACITANCE: 7.0 pF max.
9. AGING: ± 5 ppm/yr. max.
10. DRIVE LEVEL: 500 µW max. 50 µW min. 100 µW typical

II. ENVIRONMENTAL & MECHANICAL REQUIREMENTS:

1. SHOCK: Per MIL-STD-202, Method 213, Condition C
2. VIBRATION: Per MIL-STD-202, Method 201 & 204
3. HERMETICITY: 1X 10⁻⁸ atm cc/sec min.
4. MAXIMUM SOLDERING CONDITIONS: See figure 1.
5. SOLDERABILITY: Per EIAJ-STD-002
6. PACKAGE: HC-49U/S-SMD. RoHS compliant.

III. DIMENSIONS:

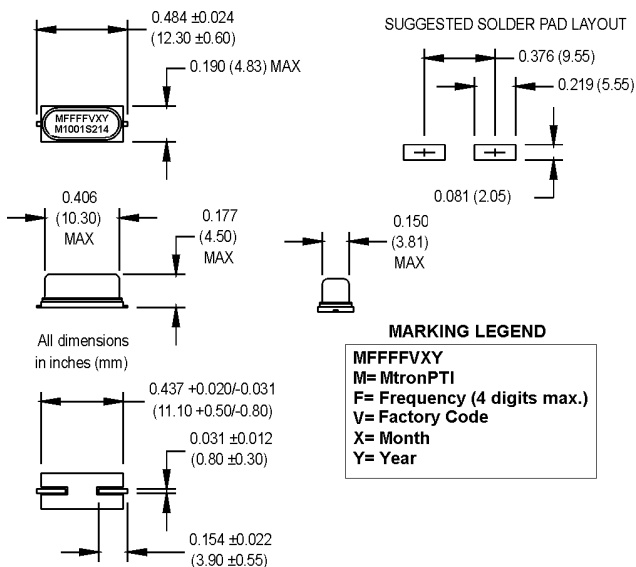
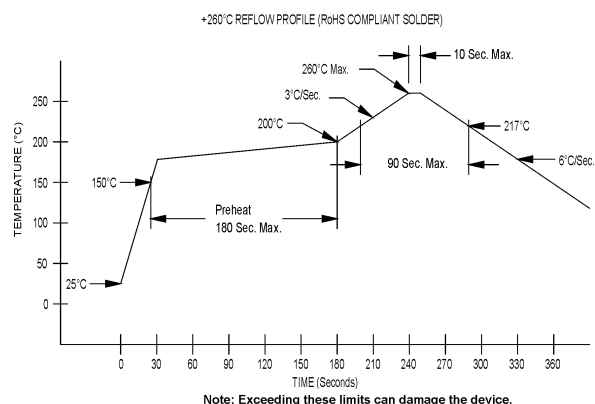


Figure 1



IV. DATA SHEET REVISION TABLE:

Date	Rev.	PCN	Details of Revision
10/4/05	0	N/A	Original release.
4/11/07	A	N/A	Updated RoHS information and corrected spelling errors. Supersedes 10/5/05 release.