



M1002S351 HC-49U Crystal Resonator

FEATURES

Resistance Weld (HC49U)
AT-Cut Fundamental
RoHS compliant.
Rugged Design to support harsh environments

APPLICATIONS

Avionics and Aerospace
Communication and Navigation
Military Radios
Instrumentation and Industrial
Test and Measurement Equipment

ELECTRICAL SPECIFICATIONS

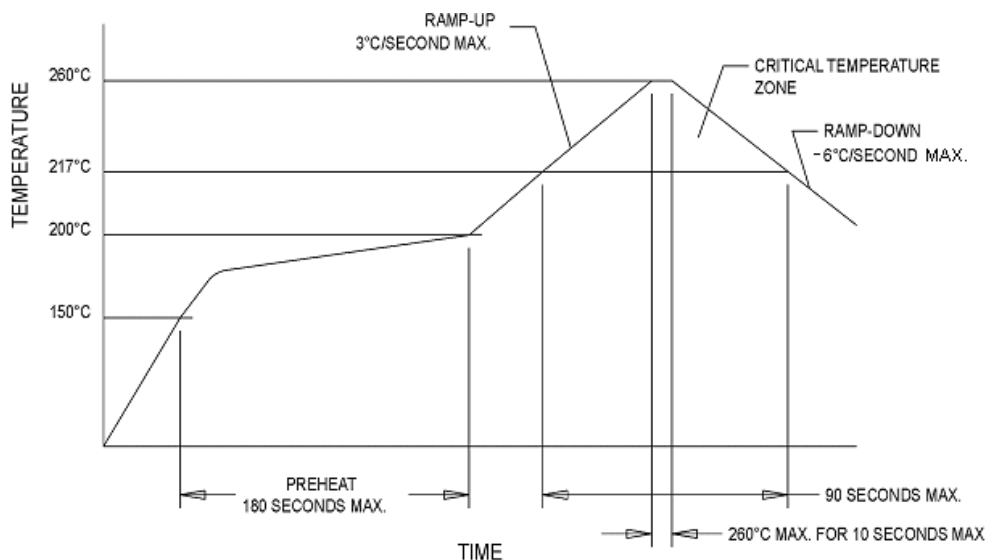
Parameter	Symbol	Min.	Typ.	Max.	Units	Conditions
Mode of Oscillation		Fundamental (AT-cut)				
Frequency Range	F ₀		11.059200		MHz	
Frequency Tolerance	F/F	-30		+30	ppm	@ +25°C
Frequency Stability	$\Delta F/F$	-100		+100	ppm	Over the operating temperature range
Aging		-5		+5	ppm	
Load Capacitance			30		pF	
Shunt Capacitance				7	pF	
ESR				35	Ω	@ +25°C
Insulation Resistance	I _R	500			M Ω	100 VDC
Drive Level	DL	50	100	1000	μ W	

ENVIRONMENTAL CONDITIONS

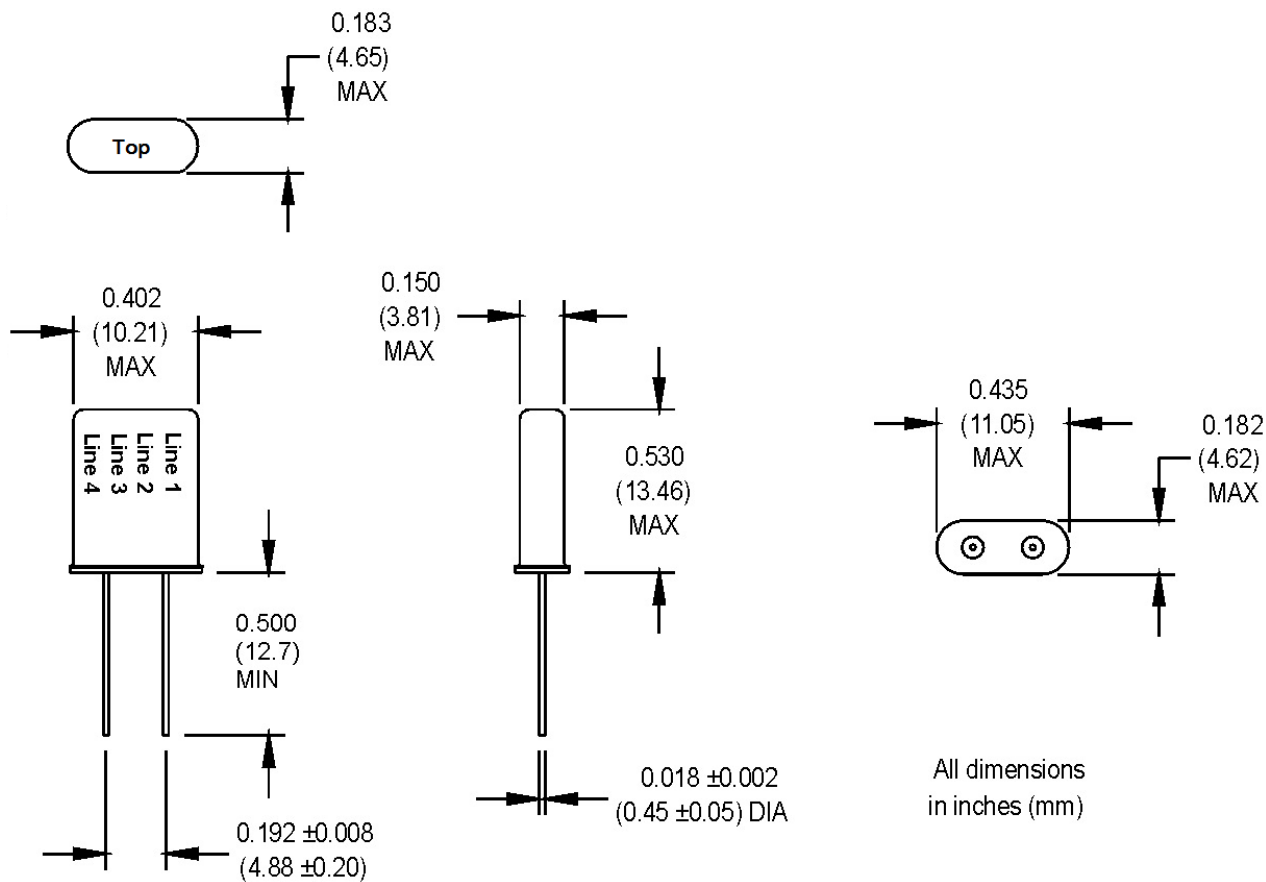
Operating Temperature	T _A	-20		+70	°C	
Storage Temperature	T _S	-55		+125	°C	
Mechanical Shock	Per MIL-STD-202, Method 213, Condition C (100 g's, 6 ms duration, ½ sinewave)					
Mechanical Vibration	Per MIL-STD-202, Method 201 & 204 (10 g's from 10-2000 Hz)					
Hermeticity	MIL-STD-202, Method 112 (1 x 10 ⁻⁸ atm cc/sec min)					
Solderability	Per MIL-STD-202, Method 208C					
Package	HC-49U resistance weld RoHS compliant					
Maximum Wave Soldering Conditions	+260°C for 10 seconds					

07/07/21 Rev. A

LEAD FREE SOLDER PROFILE



MECHANICAL AND PIN OUT INFORMATION



MtronPTI reserves the right to make changes to the product(s) and service(s) described herein without notice. No liability is assumed as a result of their use or application.