

## SPECIFICATION FOR SMT CRYSTAL

### MtronPTI P/N M1006S046

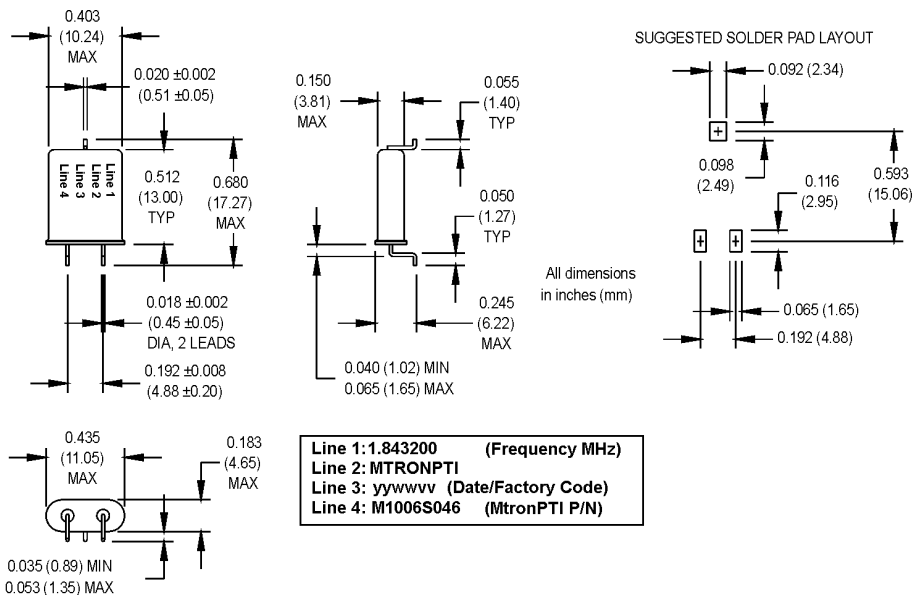
#### I. GENERAL & ELECTRICAL REQUIREMENTS:

1. MODE OF OSCILLATION: Fundamental AT-Cut Crystal
2. FREQUENCY OF OPERATION: 1.843200 MHz
3. FREQUENCY TOLERANCE @ +25°C: ± 30 ppm max.
4. FREQUENCY STABILITY OVER TEMPERATURE: ± 50 ppm max.
5. OPERATING TEMPERATURE RANGE: -40°C to +85°C
6. EFFECTIVE SERIES RESISTANCE (ESR): 750 ohms max.
7. LOAD CAPACITANCE: 22 pF
8. SHUNT CAPACITANCE: 7.0 pF max.
9. AGING: ± 5 ppm/yr. max. after 120 hrs. at 105°C
10. DRIVE LEVEL: 1.0 mW max. 100 µW typical, 50 µW min.

#### II. ENVIRONMENTAL & MECHANICAL REQUIREMENTS:

1. SHOCK: Per MIL-STD-202, Method 213, Condition C
2. VIBRATION: Per MIL-STD-202, Method 201 & 204
3. HERMETICITY:  $1 \times 10^{-8}$  atm cc/sec min.
4. MAXIMUM SOLDERING CONDITIONS: See Figure 1.
5. SOLDERABILITY: Per EIAJ-STD-002
6. PACKAGE: HC-49U/N, resistance weld. RoHS compliant.

#### III. DIMENSIONS:



#### IV. DATA SHEET REVISION TABLE:

12/3/08	0	WNJ	Original release.

