



SPECIFICATION FOR HC-49U/N CRYSTAL MtronPTI P/N M1006S049

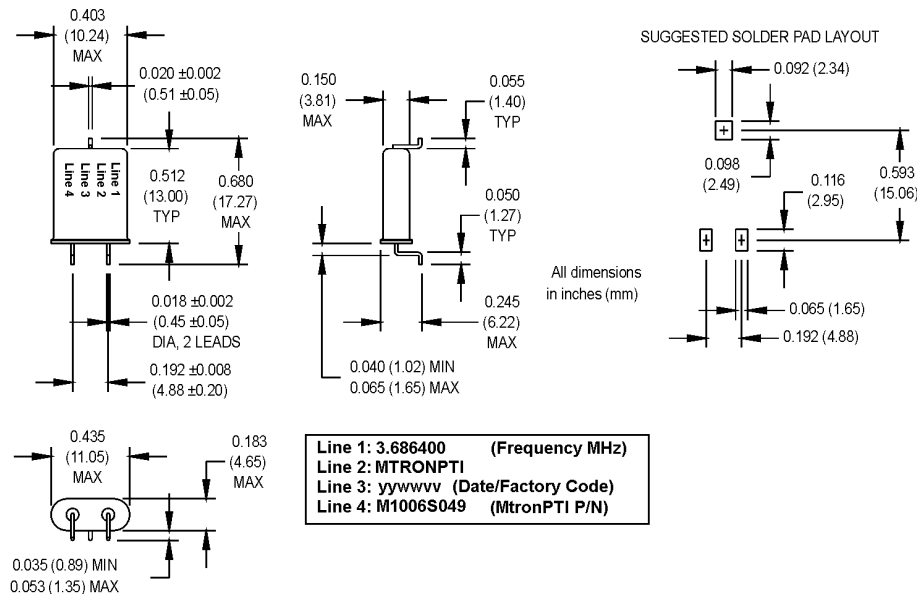
Electrical Specifications:

Parameter	Symbol	Min.	Typ.	Max.	Units	Conditions
Mode of Oscillation		Fundamental (AT-Cut)				
Frequency of Operation	F _o		3.686400		MHz	
Frequency Tolerance	F/F	-50		+50	ppm	@ +25°C
Frequency Stability	ΔF/F	-100		+100	ppm	Over operating temperature
Frequency Vs. Aging		-3		+3	ppm	Per year @ +25°C
Operating Temperature	T _A	-40		+85	°C	
Storage Temperature	T _S	-40		+85	°C	
Load Capacitance	C _L		20		pF	
Shunt Capacitance	C _o			7	pF	
ESR				150	Ω	
Drive Level	D _L	10	100	1000	μW	
Insulation Resistance	I _R	500			M Ω	At 100 VDC ± 15 VDC

Environmental & Mechanical Requirements:

Drop Shock Test	Dropped from a height of 20 cm onto hard wood surface. 3 random drops.
Vibration	2 hrs. in 3 directions, 10-55 Hz. 1.5 mm p-p amplitude.
Gross Leak Test	Per MIL-STD-202, Method 112 (30 sec. immersion)
Fine Leak Test	Per MIL-STD-202, Method 112 (1 X 10 ⁻⁸ atm cc/s of helium (He))
Solderability	Per EIAJ-STD-002
Max. Soldering Conditions	See Figure 1
Package Type	HC-49U/N resistance weld. RoHS compliant.

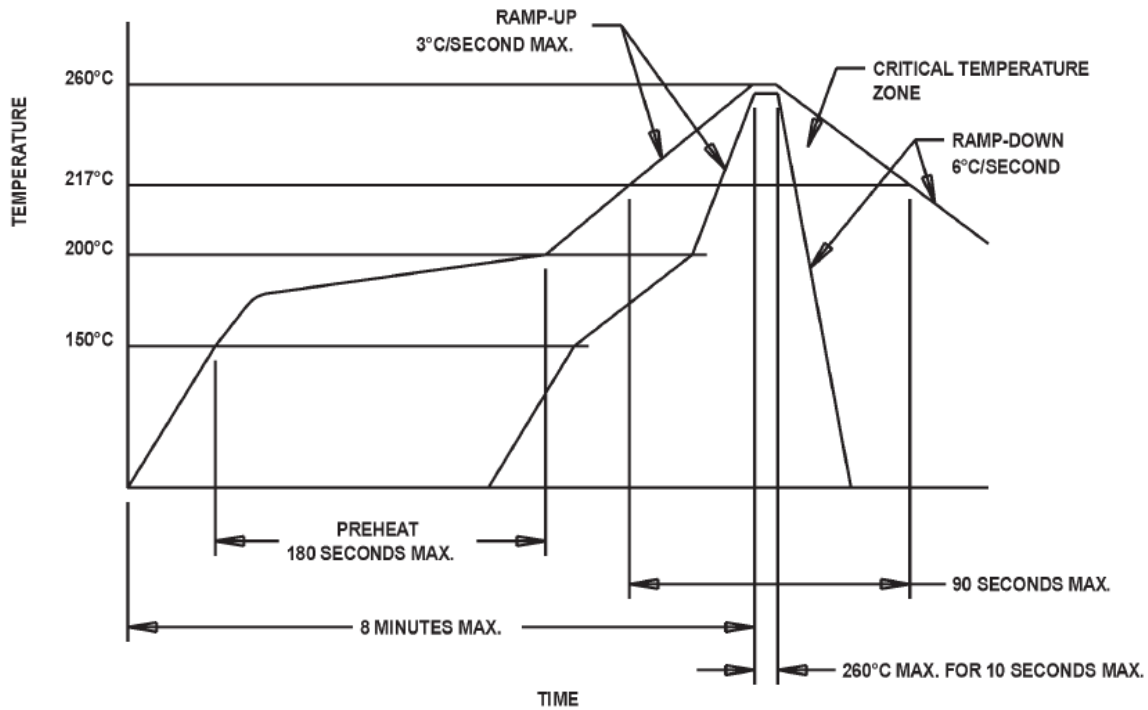
Dimensions, Pin Out & Marking Information:





**SPECIFICATION FOR HC-49U/N CRYSTAL
MtronPTI P/N M1006S049**

Figure 1



DATA SHEET REVISION TABLE:

Date	Rev.	Author	Details of Revision
7/21/09	0	WNJ	Original release.