

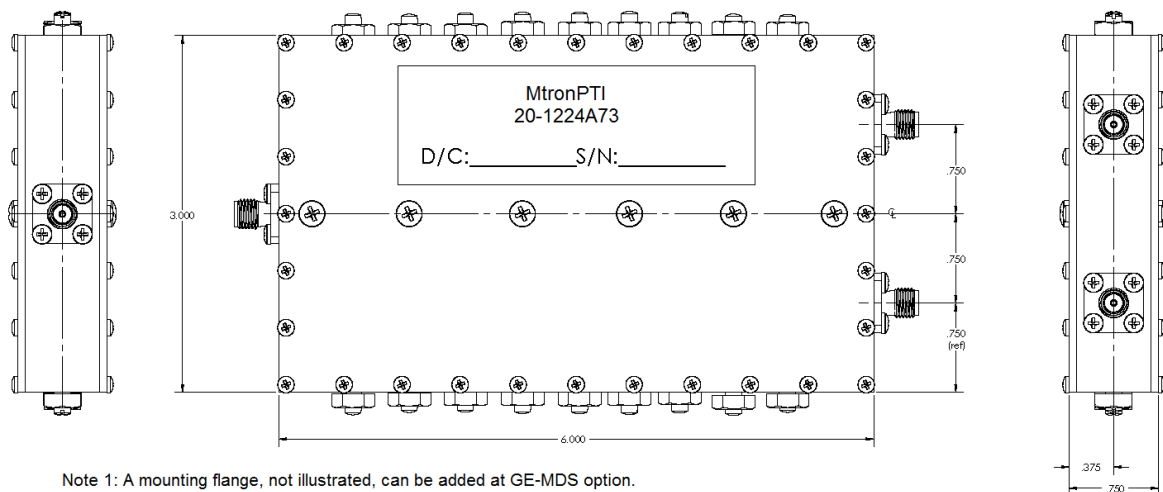
Specification for an Diplexer Cavity Filter Assembly MtronPTI P/N SA0066

I. General & Electrical Requirements:

1. Channel 1 Filter
 - Passband: 1375MHz to 1400MHz
 - Insertion Loss (IL, within the passband):
 - @ 25°C: < 1.5dB (< 1.0dB target)
 - Over OTR: < 1.75dB
 - Passband Ripple: ≤ 0.4 dB
 - Passband Return Loss: 15dB minimum
2. Channel 2 Filter
 - Passband: 1427MHz to 1452MHz
 - Insertion Loss (IL, within the passband):
 - @ 25°C: < 1.5dB (< 1.0dB target)
 - Over OTR: < 1.75dB
 - Passband Ripple: ≤ 0.4 dB
 - Passband Return Loss: 15dB minimum
3. Common
 - Isolation Between the Bands: 75dB minimum
 - Power Handling: > 3-watts average, 10-watts peak
 - Z_{IN}/Z_{OUT} (all ports): 50 Ω nominal

II. Environmental & Physical Requirements:

1. Environmental
 - Temperature
 - Operating (OTR): -10°C to +70°C
 - Storage (STR): -40°C to +85°C
2. Package:
3. Size: 6.000" (L) x 3.000" (W) x 0.750" (H), excluding connectors
Connectors: SMA-Female



Note 1: A mounting flange, not illustrated, can be added at GE-MDS option.

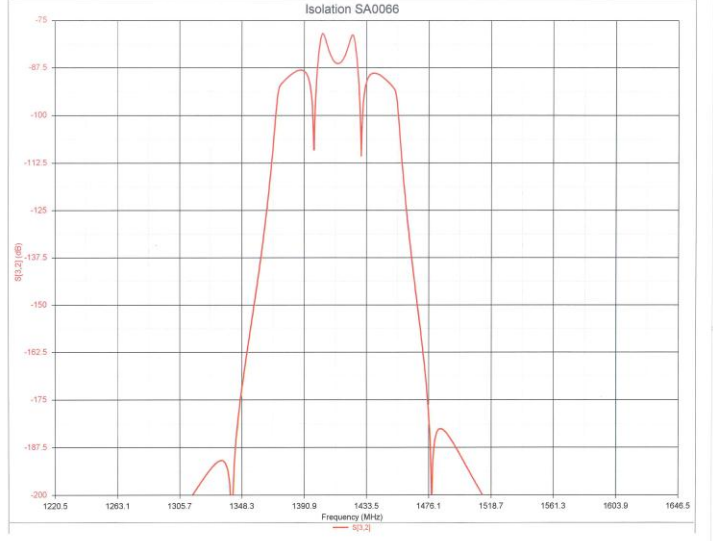
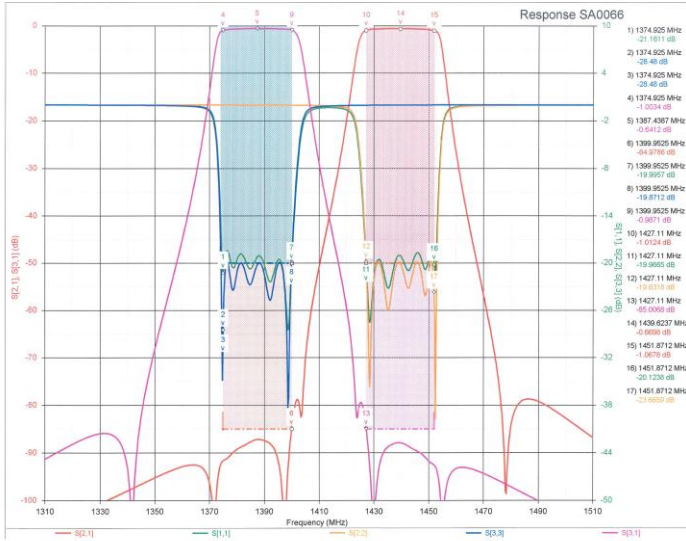
Note 2: Tolerances, unless other wise noted
.xx = ± 0.1
.xxx = ± 0.005



P.O. Box 630 100 Douglas Ave. Yankton, SD 57078 USA
 Phone: 800-762-8800 or 605-665-9321 Fax: 605-665-1709
 Website: www.mtronpti.com

Specification for an Diplexer Cavity Filter Assembly MtronPTI P/N SA0066

IV. Design Simulation Plots:



V. Data Sheet Revision Table:

| Date | Rev. | Author | Details of Revision |
|----------|------|--------|---|
| 10/12/11 | 1 | BRM | Added Customer P/N for cross reference. |
| 09/29/11 | 0 | BRM | Original release. |