



2525 Shader Road Orlando Florida 32804 USA  
Phone: 407-298-2000 Fax: 407-293-2979  
Website: [www.mtronpti.com](http://www.mtronpti.com) AMEX: LGL



## Specification for a 915MHz Bandpass Filter MtronPTI P/N UF9408R

### I. General & Electrical Requirements:

1. Center Frequency ( $F_C$ ): 915MHz
2. Passband Insertion Loss (includes Passband Ripple):
  - 3.1dB maximum: 904MHz to 924MHz
  - 5.0dB maximum: 924MHz to 926MHz
3. Return Loss:
  - 15dB minimum: 904MHz to 924MHz
  - 10dB minimum: 924MHz to 926MHz
4. Attenuation:
  - @ 880MHz: 50dB minimum
  - @ 894MHz: 50dB minimum
  - @ 902MHz: 6dB minimum
  - @ 928MHz: 12dB minimum
  - @ 929MHz: 15dB minimum
  - @ 936MHz: 40dB minimum
  - 1904MHz to 1924MHz: 85dB minimum
  - 2856MHz to 2886MHz: 65dB minimum
5. Input Power Level: 5-watt maximum
6.  $Z_{IN}/Z_{OUT}$ : 50 $\Omega$  nominal

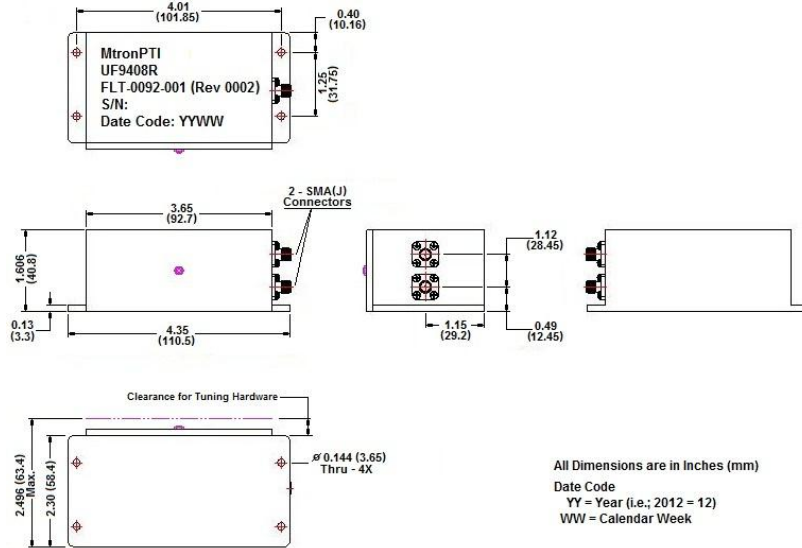
### II. Environmental & Physical Requirements:

1. Temperature:
  - Operating: -40°C to +80°C
  - Storage: -45°C to +85°C
2. Humidity (Operating): 10% to 95% non-condensing
3. Vibration (Survival):
  - Per MIL-STD-810E
  - ASTM 4159 Truck Transport 11.5.2 Assurance Level 2
4. RoHS: Full RoHS Compliance

### III. Package & Marking Requirements:

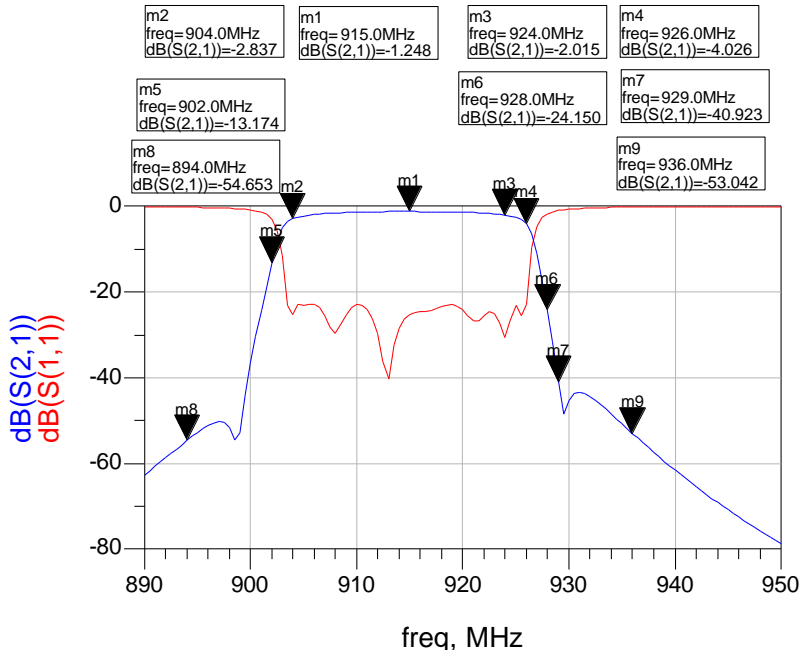
1. Size: Per Figure 1
2. Connectors: SMA Jack (2 locations)
3. Packaging for Shipment:
4. Marking: Per Figure 1

## Specification for a 915MHz Bandpass Filter MtronPTI P/N UF9408R



**Figure 1: Package Dimensions & Marking**

### IV. Design Simulations Plot:



### V. Datasheet Revision Table:

Date	Rev.	Author	Details of Revision
01/03/13	2	BRM	Modified the Input Power Level specification to read 5-watts maximum and a terminating impedance specification point.
12/11/12	1	BRM	Added an Input/Output Impedance specification point.
7/9/12	0	BRM	Original Release.