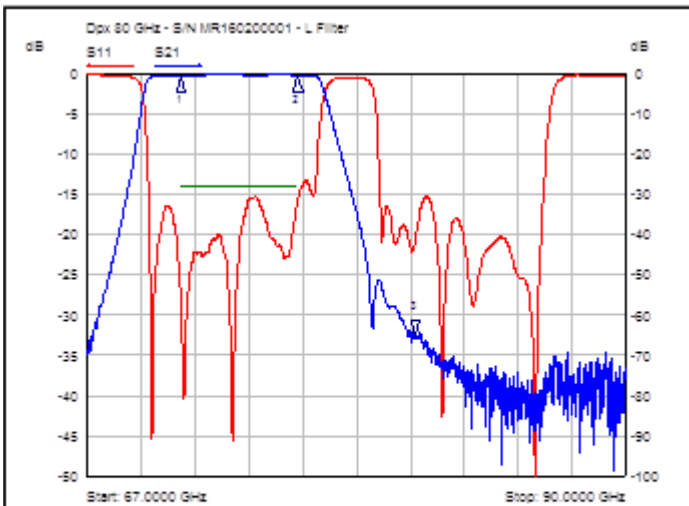


**MtronPTI E-band Diplexer**  
**MtronPTI P/N: WFDX9728**

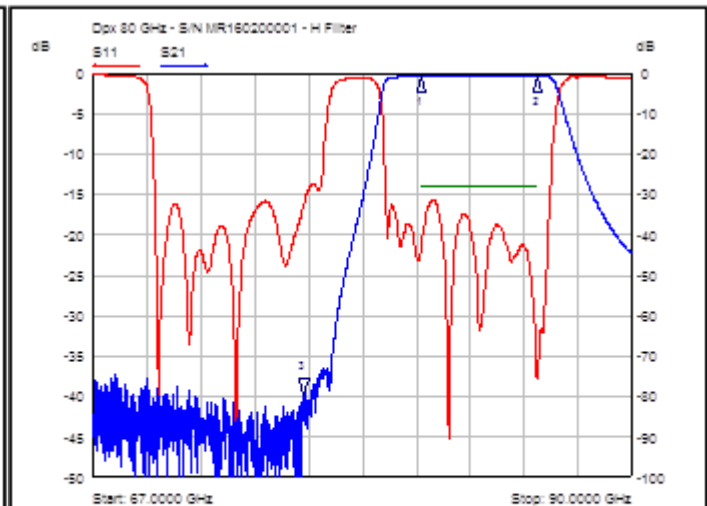
**1. General & Electrical Requirements :**

Low Filter Bandwidth	71-76 GHz
High Filter Bandwidth	81-86 GHz
Return Loss	> 14 dB
Insertion Loss	< 1.0 dB (0.6 dB typ.)
TX/RX Isolation	> 60 dB
Temperature Range	-40C to +85C
Dimensions	80 x 24 x 9 mm
Connectors (on all Ports)	Flanges WG26 R740 WR12

**II. Design Simulation Plots:**



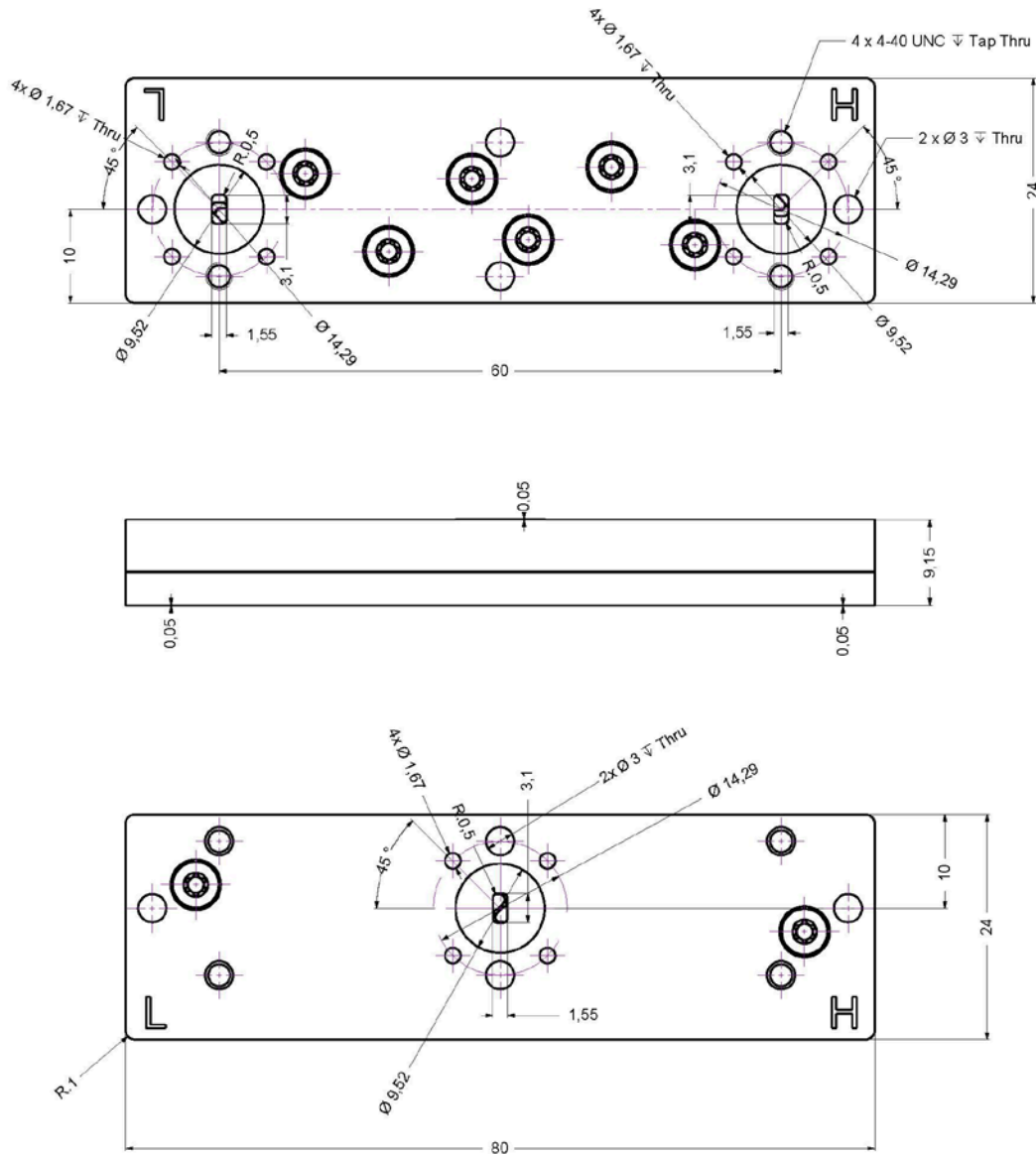
Id	Trace	X-Axis	Value	Notes
1	S21	71.0000 GHz	-0.47 dB	
2	S21	76.0000 GHz	-0.55 dB	
3	S21	81.0000 GHz	-66.39 dB	



Id	Trace	X-Axis	Value	Notes
1	S21	81.0000 GHz	-0.69 dB	
2	S21	86.0000 GHz	-0.61 dB	
3	S21	76.0000 GHz	-79.53 dB	

**MtronPTI E-band Diplexer**  
**MtronPTI P/N: WFDX9728**

**111. Outline Drawing**



**1V.Data Sheet Revision Table:**

Date	Rev.	Author	Details of Revision
12-14-16	A	DPD	Original Draft.