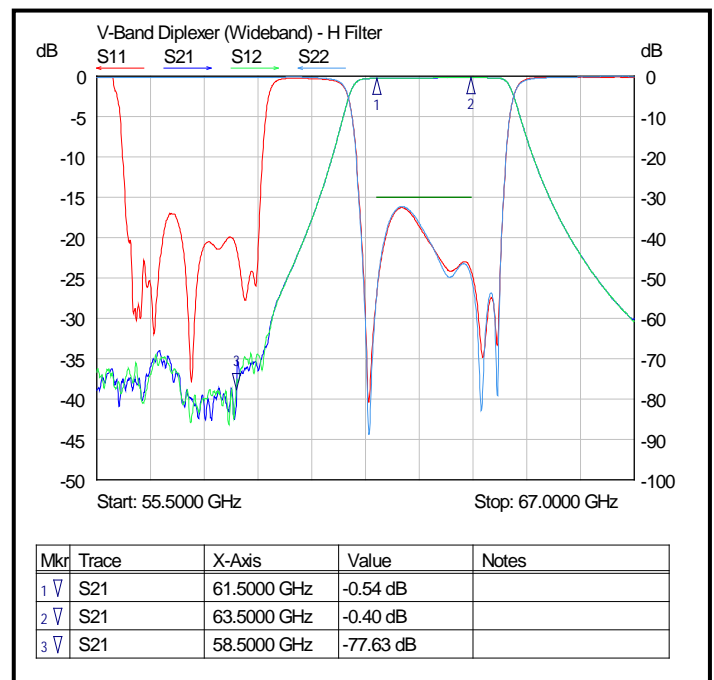
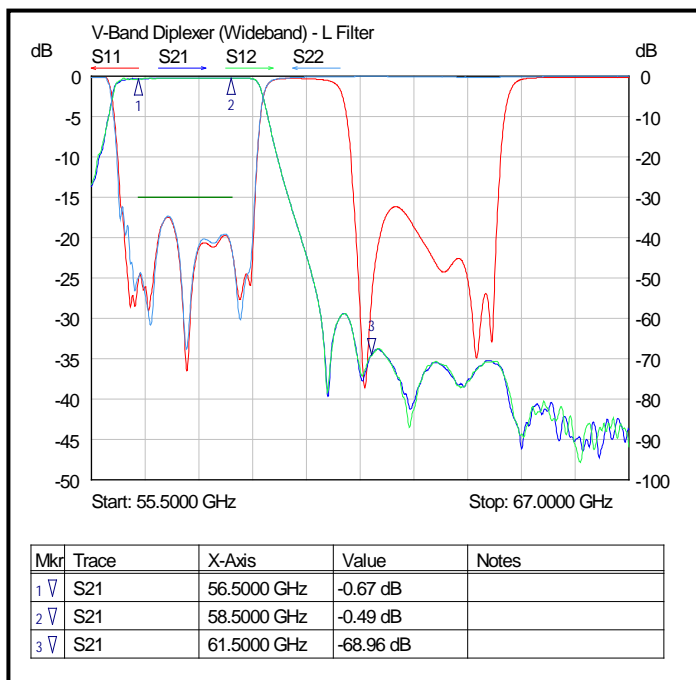


MtronPTI V-band2 Diplexer MtronPTI P/N: WFDX9730

1. General & Electrical Requirements :

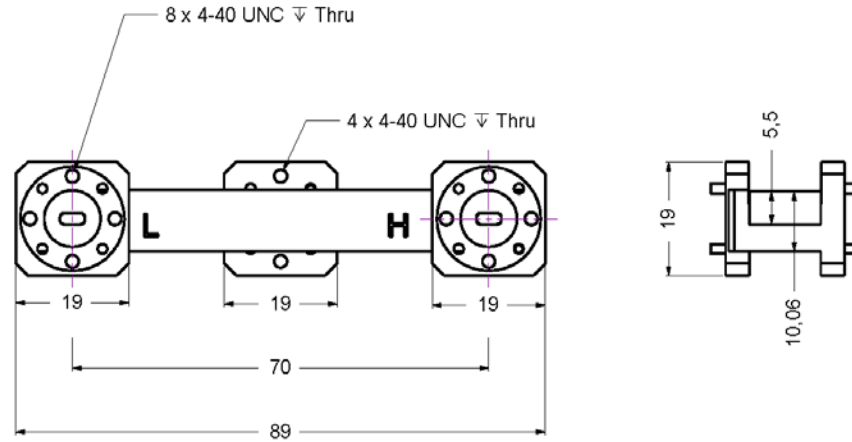
Low Filter Bandwidth	56.5-58.5 GHz
High Filter Bandwidth	61.5-63.5 GHz
Return Loss	> 15 dB
Insertion Loss	< 1.0 dB (0.65dB Typical)
TX/RX Isolation	> 60 dB
Temperature Range	-30C to +70C
Dimensions	89 x 20 x 19 mm
Connectors (on all Ports)	Flanges WG25 R620 WR15

II. Design Simulation Plots:

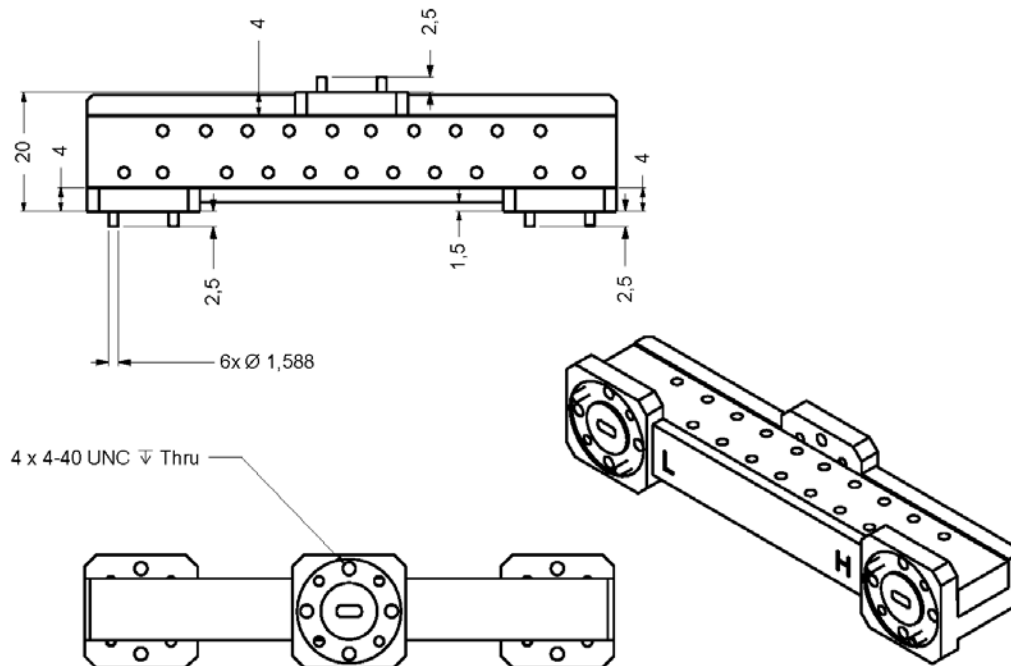


MtronPTI V-band2 Diplexer
MtronPTI P/N: WFDX9730

111. Outline Drawing



3 Flanges WG25 R620 WR15 UG-385/U



1V.Data Sheet Revision Table:

Date	Rev.	Author	Details of Revision
12-14-16	A	DPD	Original Draft.