

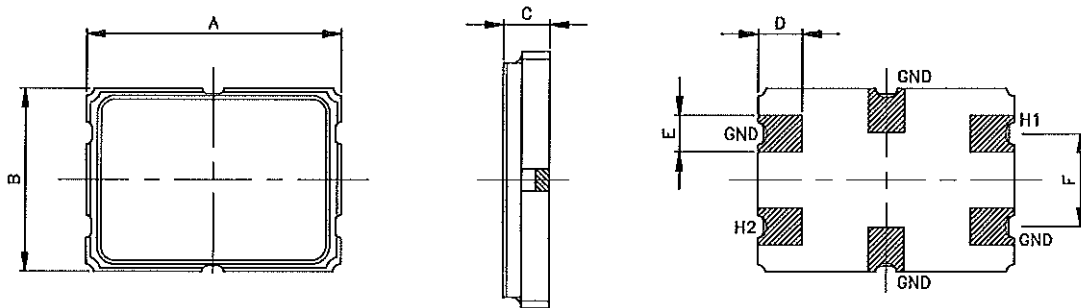
## Specification for a 3rd Overtone 3-Pole Monolithic SMD Crystal Filter MtronPTI P/N: XF9380R

### I. General & Electrical Requirements:

1. Center Frequency ( $F_{ON}$ ): 90.0MHz
2. 3dB Passband:  $\geq F_{ON} \pm 10.0\text{kHz}$  and  $\leq F_{ON} \pm 15.0\text{kHz}$
3. Insertion Loss (@ peak of transmission within the 3dB passband):  $\leq 3.0\text{dB}$
4. Passband Ripple (peak-valley):  $\leq 1.0\text{dB}$
5. Rejection (Minimum, Relative to Insertion Loss): *Subject to Verification at Prototype Build*
  - @ 15dB:  $\leq F_O \pm 25.0\text{kHz}$
  - @ 30dB:  $\leq F_O \pm 50.0\text{kHz}$
6. Spurious Responses: 20dB minimum *Subject to Verification at Prototype Build*
7. Input Signal Level:  $\leq 0\text{dBm}$
8.  $Z_S/Z_L$ :  $1500\Omega // -1.4\text{pF}$  nominal *Subject to Verification at Prototype Build*

### II. Environmental & Physical Requirements:

1. Temperature Range
  - Operating:  $-20^\circ\text{C}$  to  $+70^\circ\text{C}$
  - Storage:  $-40^\circ\text{C}$  to  $+85^\circ\text{C}$
2. Solderability: Per EIAJ-STD-002
3. Package: SMD (ref drawing Figure 1)
4. Full RoHS Compliance



A	B	C	D	E	F
<b>7.00</b>	<b>5.00</b>	<b>1.27</b>	<b>1.21</b>	<b>0.99</b>	<b>2.54</b>
$\pm 0.18$	$\pm 0.18$	$\pm 0.20$	$\pm 0.13$	$\pm 0.13$	$\pm 0.13$

**Figure 1 – Filter Package Outline Drawing**



## Specification for a 3rd Overtone 3-Pole Monolithic SMD Crystal Filter MtronPTI P/N: XF9380R

### III. Recommended Reflow Profile:

