

**Specification for a Sinewave Output Thru-Hole  
OCXO MtronPTI P/N: XO5085-061R**

**Electrical Specifications:**

Parameter	Symbol	Min.	Typ.	Max.	Units	Conditions
Nominal Frequency	F <sub>O</sub>		100.0000		MHz	
<b>Frequency Stabilities</b>						
vs. Temperature	$\Delta F_T/F$	-100		+100	ppb	Over the Operating Temperature Range
vs. Supply voltage variation		-30		+30	ppb	+/-250mV change in supply voltage
Daily Aging		-5		+5	ppb	After 30-days Power On
1 Year Aging		-0.5		+0.5	ppm	
10-Years Aging		-2.0		+2.0	ppm	
Retrace		-20		-20	ppb	After 30-minutes power on following 24-hours off
<b>RF Output</b>						
Output Type			Sinewave			
Output Level		+7.5	+9	+10.5	dBm	
Output Load			50		$\Omega$	$\pm 10\%$
<b>Frequency Adjustment</b>						
Adjustment Method			External Voltage			
Adjustment Voltage	V <sub>TUNE</sub>	0		+10	V <sub>DC</sub>	
Adjustment Range		$\pm 0.5$			ppm	Over all conditions
Adjustment Slope			Positive			
<b>Additional Parameters</b>						
Phase Noise (Under Static Conditions)				-97	dBc/Hz	10Hz Offset
				-128	dBc/Hz	100Hz Offset
				-158	dBc/Hz	1kHz Offset
				-170	dBc/Hz	10kHz Offset
				-170	dBc/Hz	100kHz Offset
				-170	dBc/Hz	1MHz Offset
G-sensitivity				0.3	ppb/g	
Harmonics				-25	dBc	
Spurious				-80	dBc	
Warm-up Time				5	minutes	To within $\pm 0.1$ ppm of the frequency after 1-hour of operation @ 25°C
<b>Temperature, Supply Voltage &amp; Power Consumption</b>						
Operating Temperature	OTR	-40		+85	°C	Full Specification Compliance
Storage Temperature	STR	-55		+85	°C	
Operating Voltage	V <sub>CC</sub>	+11.4	+12.0	+12.6	V <sub>DC</sub>	
Power Consumption				1.5	Watts	Steady state @ 25°C, In Still Air
				3.6	Watts	@ Warm-up

**Specification for a Sinewave Output Thru-Hole  
 OCXO MtronPTI P/N: XO5085-061R**

**Environmental Conditions:**

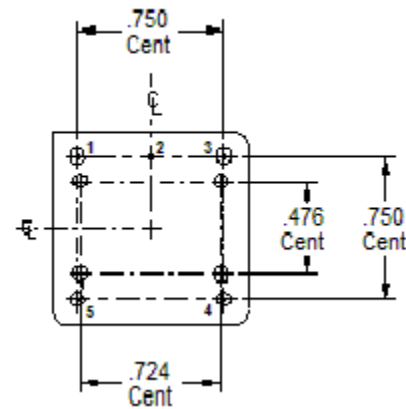
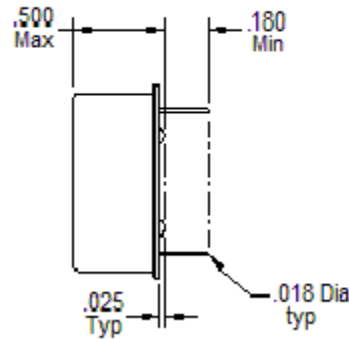
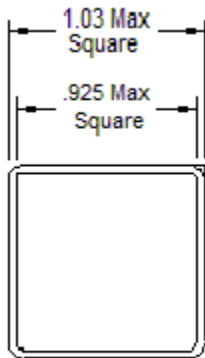
Seal	Hermetic
RoHS	Full RoHS Compliance

**Mechanical, Marking and Layout Information:**

Part Marking	
Line 1	UTOC1701
Line 2	100.0000MHz
Line 4	Serial Number
Line 5	Date Code

Legend	
yy	Year
ww	Work Week

Pin	Function
1	RF Output
2	Case Ground
3	V <sub>TUNE</sub>
4	N/C
5	Supply Voltage



**Data Sheet Revision Table:**

Date	Rev.	Orig.	Details of Revision
02-07-17	D	DPD	custom marking updated
01-24-17	C	DPD	Customer part# added and custom marking.
01-23-17	B	DPD	g-sensitivity specification updated from 0.5pp/g to 0.3ppb/g
10-25-16	A	DPD	Original release