



XO9095 : High-frequency, Low Phase-Noise and Low g-sensitivity OCXO

MtronPTI today introduced the XO9095, an OCXO integrated with low noise multipliers, filters for superior spectral purity and low noise discrete amplifiers to generate a high frequency, low phase noise sinewave output from 200MHz to 6GHz. The XO9095 employs an in-house manufactured precision SC-cut crystal which drives the tight stability, low g-sensitivity and low phase noise performance of the OCXO.

With the XO9095 operating in the GHz, the designer does not have to multiply a lower frequency OCXO, eliminating additional circuitry, cost, PCB space and RF paths that can introduce noise. This industry leading tight stability, low g-sensitivity and low phase noise performance is engineered into a standard one-inch square package. This package is approximately 45% smaller than the competition, making it the smallest available high frequency OCXO on the market, consuming less board space at the lightest weight available.

XO9095 is an ideal frequency reference source for Radar, Electronic Warfare, Satcom and Test Equipment applications. MtronPTI offers a broad line of precision crystal resonators, oscillators, filters, and Integrated Microwave Assembly solutions. MtronPTI is an ISO 9001:2015 and AS9100 Rev. D certified organization.

Features:

Low Aging : +/- 2ppm, all causes over 20 years

Superior spectral purity : Sub harmonics -45dBc, Spurious -80dBc

Tight temperature stability : +/-100ppb (-54C to +71C)

Low g-sensitivity : As low as 0.5ppb/g worst case axis

Low Phase Noise : See below

Product Classification: EAR99

Standard Frequencies: 1GHz and 1.28GHz

Various Custom output frequencies available up to 6GHz

Size and Weight: 1 inch (25.4 mm) x 1 inch (25.4 mm) x 0.75 inch (19.05 mm), 0.7oz (20 grams)

Applications:

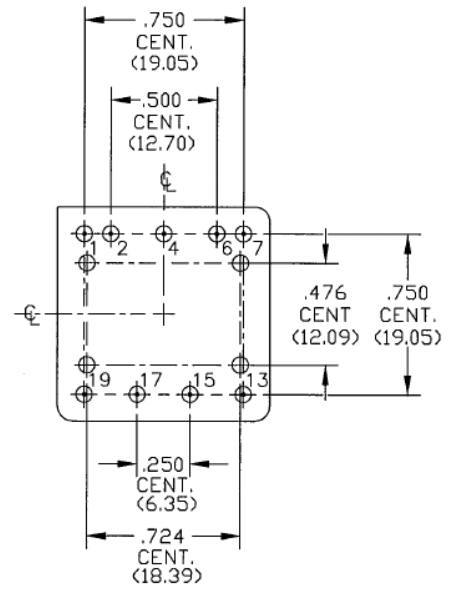
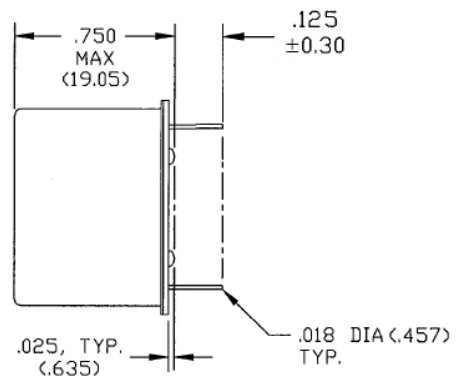
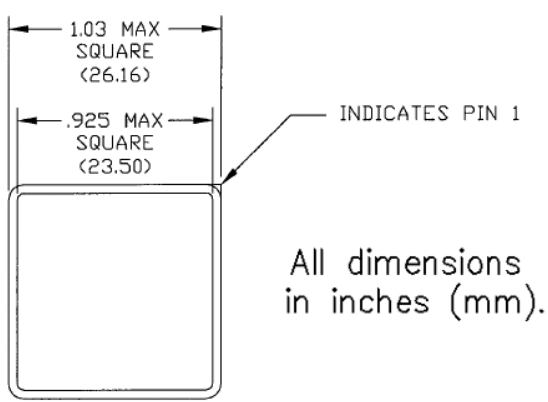
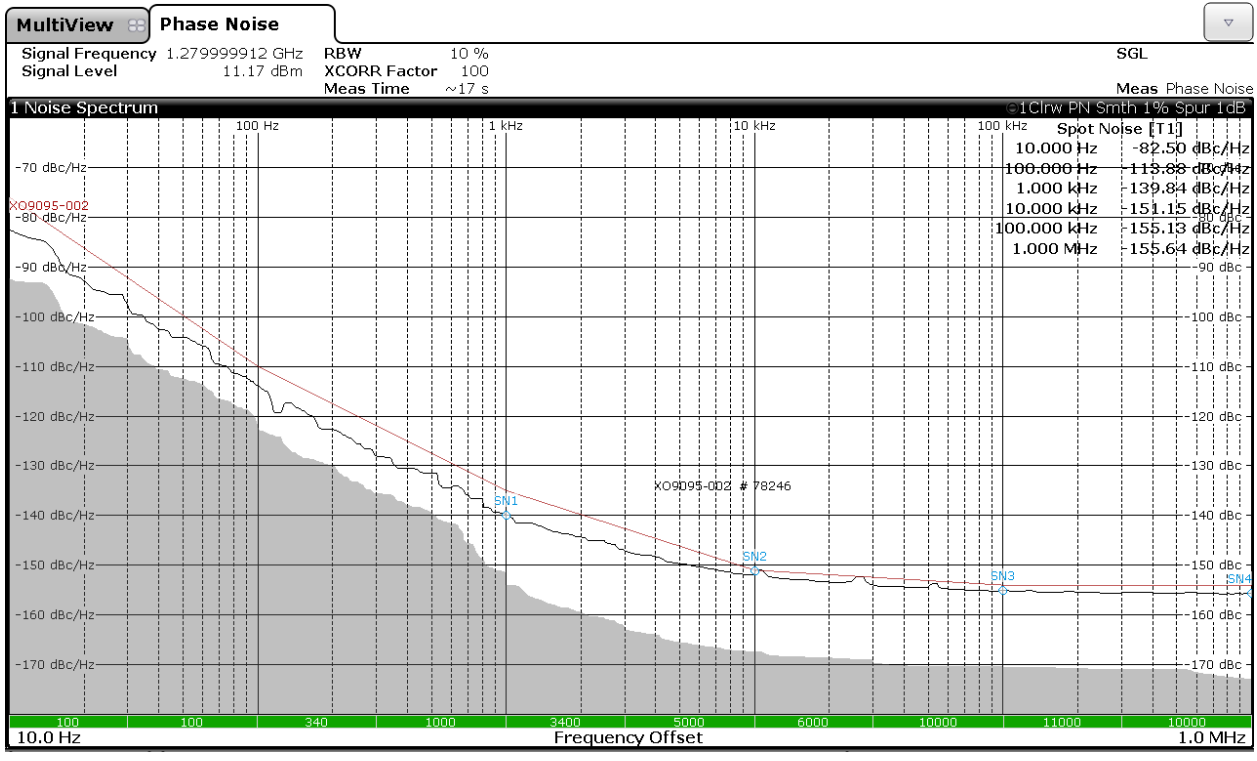
Radar

EW

Satcom

Datasheet link: <http://www.mtronpti.com/wp-content/uploads/XO9095-Series.pdf>





Pad	Function
1	RFOUT
2	RF Ground
4	Case Ground
7	VTUNE
13	VREF
17	NC
19	Supply Vcc+
6, 15	NC