



Specification for a 200-Watt Lowpass SMD LC Filter MtronPTI P/N: LF9438

I. General & Electrical Requirements

1. Passband: 768MHz to 941MHz
2. Insertion Loss within the Passband): $\leq 0.25\text{dB}$
3. VSWR: 1.5:1 maximum
4. Group Delay
 Absolute within the Passband: $\leq 3.0\text{nsec}$
5. Rejection:
 @ 1526: 70dB minimum
6. Power Handling: $\leq 200\text{-watts CW}$
7. Z_{IN}/Z_{OUT} : 50Ω nominal

II. Environmental & Physical Requirements:

1. Temperature Range
 Operating: -45°C to $+85^{\circ}\text{C}$
 Storage: -50°C to $+90^{\circ}\text{C}$
2. Solderability: Per EIAJ-STD-002
3. Package (see Figure 1):
 Size: 2.00" (L) x 1.00" (W) x 0.500" (H, maximum) (ref Figure 1)
 Type: SMD

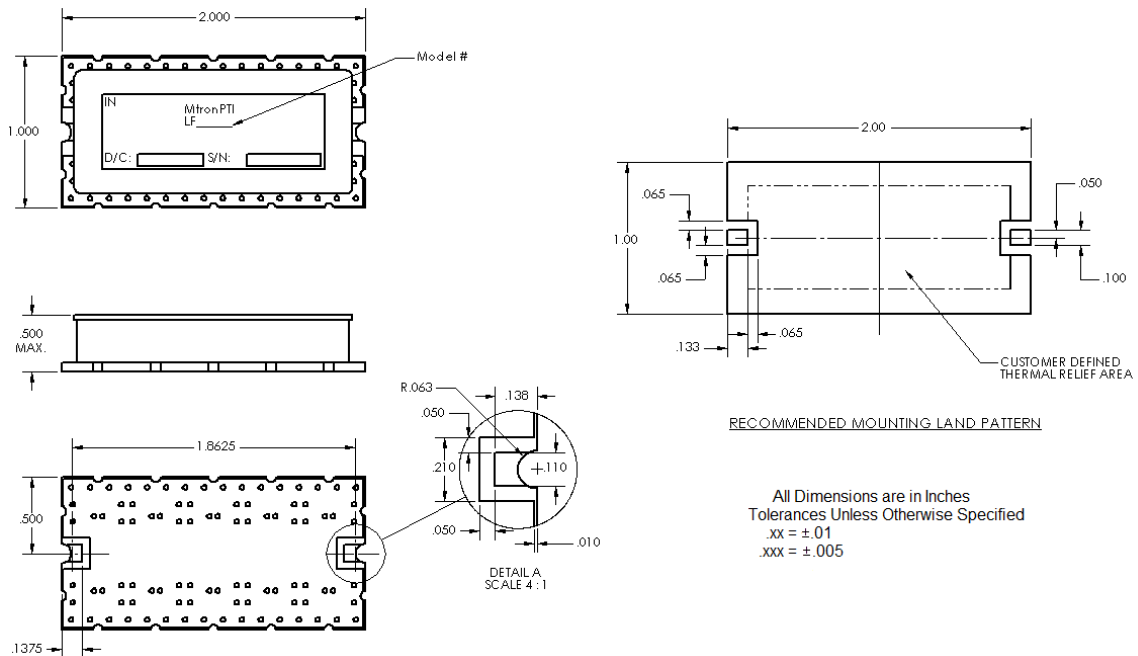
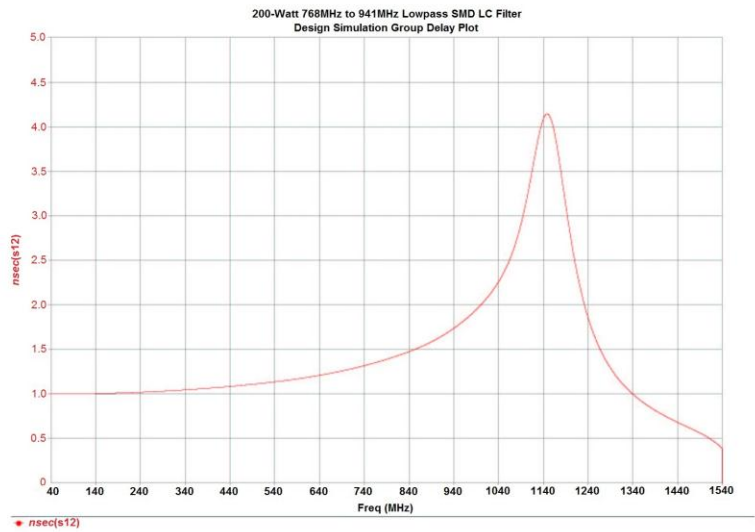
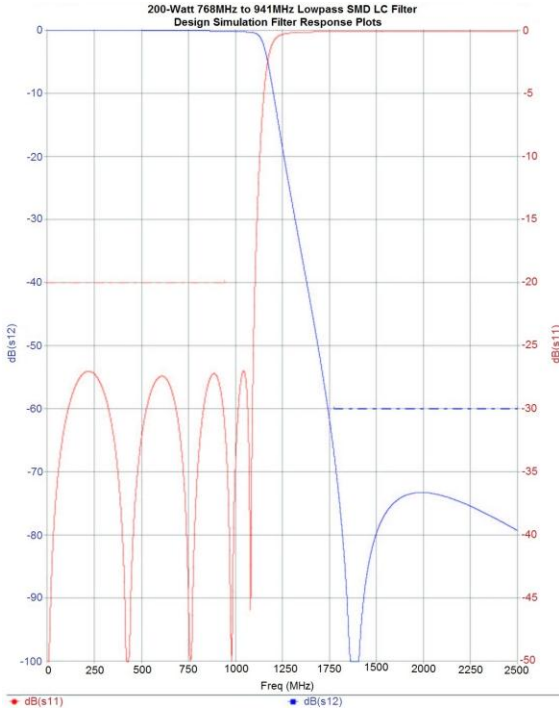


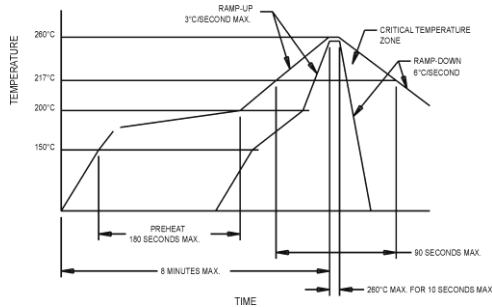
Figure 1: Proposed Outline Drawing

Specification for a 200-Watt Lowpass SMD LC Filter MtronPTI P/N: LF9438

III. Design Simulation Plots:



IV. Maximum Solder Reflow Profile:



V. Data Sheet Revision Table:

Date	Rev.	Author	Details of Revision
04/16/13	0	BRM	Initial Release.